

TIMBER FRAMES

BESPOKE TIMBER FRAMES
DETAILED TO BE SEEN



HUGE RANGE OF SPECIES, SECTIONS AND
ENGINEERED JOINTING SYSTEMS

C O W L E Y
TIMBER + PARTNERS

TIMBER FRAMING SERVICE

- CONCEPT DESIGN
- 3D CAD MODELLING
- PRICING SERVICE
- DETAIL AND VALUE ENGINEERING
- SOURCING OF QUALITY MATERIALS
- CUTTING AND JOINTING SELECTION
- DETAILED PROGRAMMING
- EFFICIENT ASSEMBLY OPTIONS
- QUALITY CONTROL AND STRESS TESTING

COWLEY TIMBER AND PARTNERS ARE A HIGHLY SKILLED AND EXPERIENCED ENGINEERED TIMBER FRAMING BUSINESS. WE SPECIALISE IN THE DESIGN, MANUFACTURE, DELIVERY AND INSTALLATION OF INDIVIDUAL TIMBER FRAMES THAT ARE PREFERRED TO BE SEEN.

CONVERTING YOUR CONCEPT INTO REALITY REQUIRES A VERSATILE AND KNOWLEDGEABLE APPROACH. OFTEN THE OPPORTUNITY EXISTS TO CREATE A BUILDING THAT IS ARCHITECTURALLY BEAUTIFUL WITHOUT BEING PROHIBITIVELY EXPENSIVE.

TIMBER FRAMING IS A PRECISION TECHNOLOGY AND WE USE THE MOST UP TO DATE ENGINEERING PRACTICES AND HIGH PERFORMANCE MACHINES FOR OUR MODELLING AND CUTTING. THE USE OF DIFFERENT SPECIES, BEAM SIZES AND JOINTING SYSTEMS ARE USED FOR THE MOST SIMPLE TIMBER DESIGNS THROUGH TO HIGHLY INTRICATE DETAILING.

CO-ORDINATION IS KEY TO DELIVERING A SUCCESSFUL PROJECT AND COWLEY TIMBER AND PARTNERS WILL BE THERE TO ENSURE THAT CONTINUITY IS MAINTAINED THROUGHOUT THE PROGRAMME.





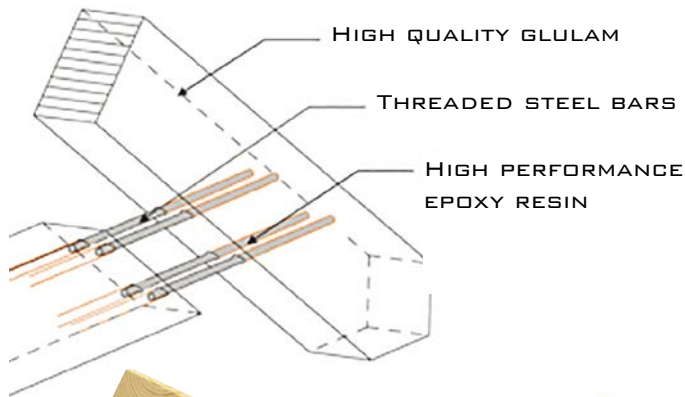
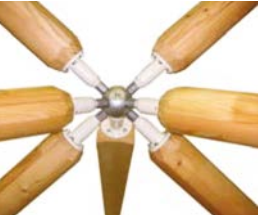
CONNECTIONS AND JOINTS

COWLEY TIMBER HAVE BEEN CREATING STRUCTURES FROM GLULAM BEAMS FOR OVER 40 YEARS. OUR EXPERIENCE ENABLES US TO RECOMMEND THE MOST APPROPRIATE CONNECTION SYSTEMS AND JOINT TECHNOLOGY TO SUIT EACH INDIVIDUAL PROJECT RANGING FROM TRADITIONAL TO INVISIBLE CONTEMPORARY.

THE RESIX SYSTEM IS A TOTALLY INVISIBLE HIGH PERFORMANCE JOINTING PROCESS AND IS SUITABLE FOR LARGE SPANS AND COLUMN LESS SPACE.

SEND US YOUR PLANS

SEND US YOUR PLANS AND WE CAN GIVE YOU AN ESTIMATE AND SOME COST EFFECTIVE SUGGESTIONS FOR YOUR PROJECT. WE CAN ALSO SUPPLY YOU WITH A COMPETITIVE QUOTATION LEADING TO CALCULATIONS AND TIMBER SIZING FOR GLULAM BEAMS IN A VARIETY OF SPECIES.







COWLEY TIMBER + PARTNERS LTD

UNIT 13 ABBOTTS WAY NEWARK BUSINESS PARK NEWARK
NOTTINGHAMSHIRE NG24 2EL

T: 01522 720022 **E:** MAIL@COWLEYTIMBER.CO.UK

W: WWW.COWLEYTIMBER.CO.UK

REGISTERED OFFICE: 41 PEAR TREE STREET LONDON EC1V 3AG



ALL WOODS USED IN THE
MANUFACTURE OF OUR
CLADDING ARE FROM
SUSTAINABLE FORESTS