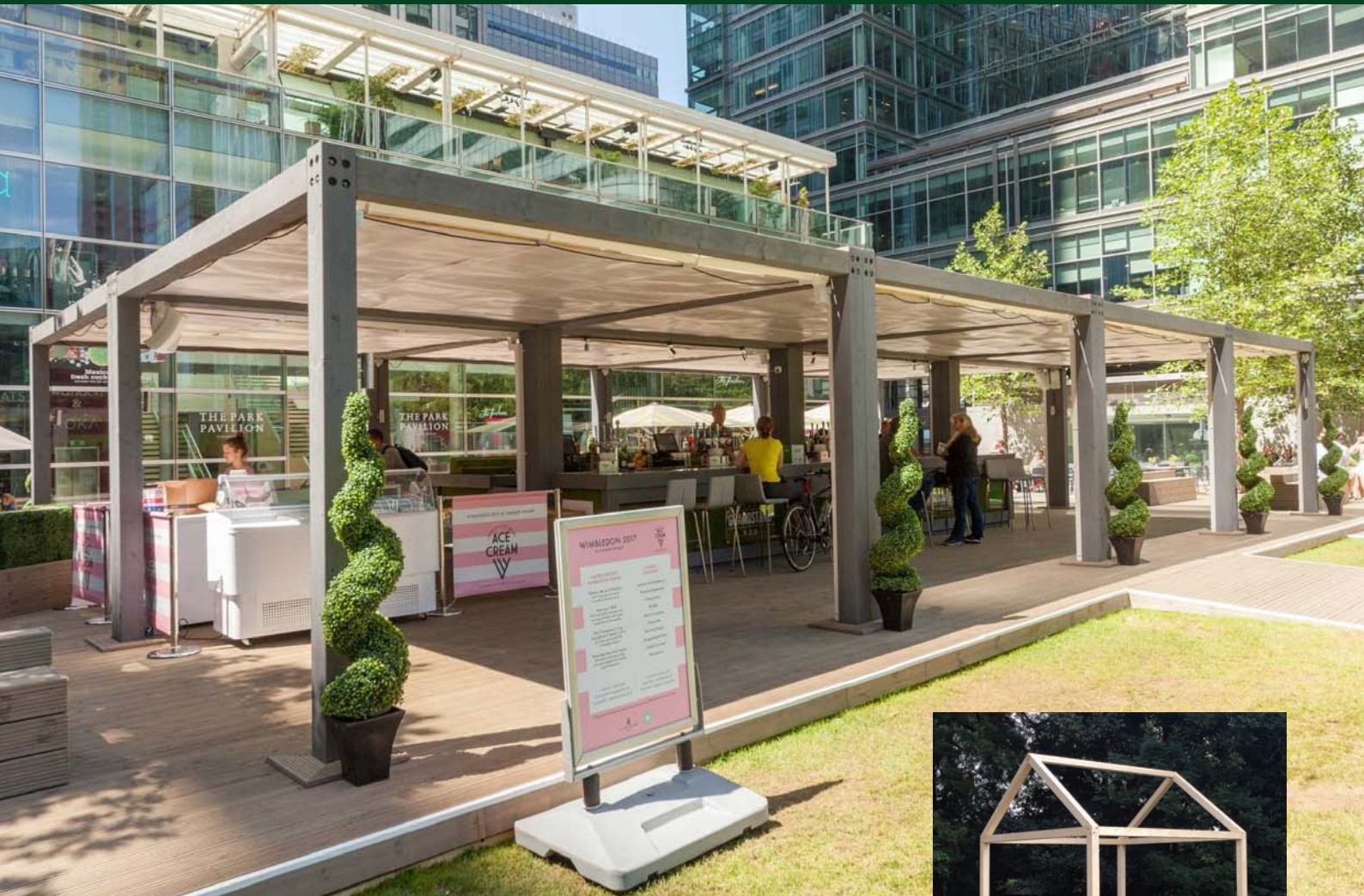


QUICK FRAME



OFF THE SHELF EASY TO
ASSEMBLE TIMBER FRAME



AVAILABLE IN SPRUCE LARCH AND OAK

C O W L E Y
T I M B E R + P A R T N E R S

QUICK FRAME FEATURES

- MULTIPLE CONFIGURATION OPTIONS
- GLUED IN ROD CONNECTIONS
- PRE DRILLED
- EASY TO ASSEMBLE
- MULTIPLE FOUNDATION OPTIONS
- PRECISION FACTORY FINISHED
- QUICK AVAILABILITY
- QUALITY FINISHES AND TREATMENTS AVAILABLE
- 10 YEAR GUARANTEE
- 3M, 4M AND 5M SPANS
- STRUCTURAL ENGINEER DESIGNED
- BASE SHOES AVAILABLE

COWLEY TIMBER AND PARTNERS HAVE DESIGNED QUICK FRAME AS AN EASY TO INSTALL STRONG TIMBER FRAME.

QUICK FRAME IS AVAILABLE IN A VARIETY OF FIXED DIMENSIONS AND ROOF TYPES. THIS VERSATILE FRAME CAN BE INSTALLED ON TO A CONCRETE SLAB, A BRICK PLINTH OR SCREW PILE/PAD FOUNDATIONS.

ENGINEER DESIGNED FOR STRENGTH QUICK FRAME CAN BE DEPLOYED FOR MANY USES AND CAN ACCOMMODATE A HUGE RANGE OF EXTERNAL FINISHES INCLUDING CLADDING, INSULATED SIP PANELS, TILES AND ROOFING MEMBRANES.

- SPRUCE FOR THE ECONOMIC SOLUTION
- LARCH FOR EXTERNAL USE
- OAK FOR THE HIGHEST QUALITY FINISH

QUICK FRAME IS FOR TEMPORARY OR PERMANENT USES



SPRUCE

PEFC GL28H
EUROPEAN SPRUCE
BEAM WIDTH
160MM X 160MM
OR 200MM X 200MM
IN LENGTHS OF
3M, 4M & 5M



LARCH

PEFC GL24H
AUSTRIAN/SWISS LARCH
BEAM WIDTH
140MM X 150MM
OR 210 X 205
IN LENGTHS OF
3M, 4M & 5M



OAK

PEFC
EUROPEAN OAK
BEAM WIDTH
160MM X 160MM
OR 200 X 200
IN LENGTHS OF
3M, 4M & 5M

STANDARD FLAT ROOF

- FOR INSULATED, UNINSULATED OR PERGOLA TYPE ROOFS
- SUITABLE FOR BICHIMIN, MEMBRANE, LEAD, CORRUGATED AND PLASTIC FINISHES

STANDARD PITCHED ROOF

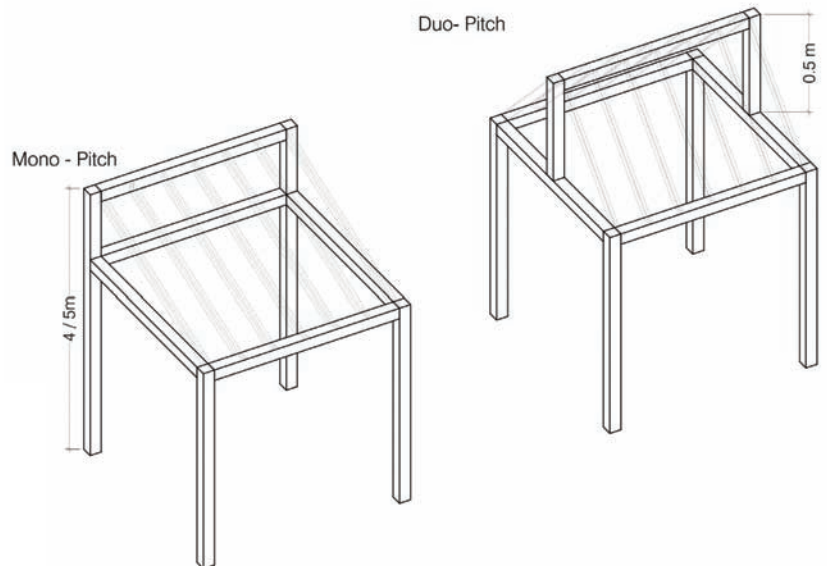
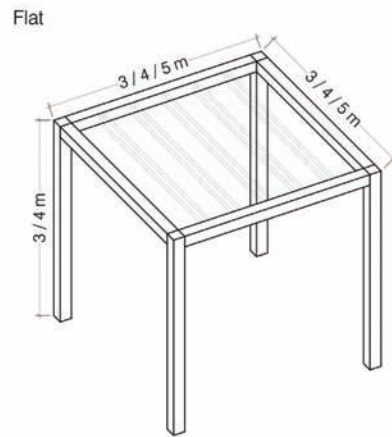
- QUICK FRAME CAN ACCOMMODATE MOST FINISHES INCLUDING SLATES, CONCRETE TILES, CLAY TILES, CORRUGATED OR MEMBRANE FINISHES
- FOR INSULATED, UNINSULATED OR PERGOLA TYPE ROOFS

FIXINGS

QUICK FRAME HAS A GLUED IN ROD FIXING SYSTEM. A THREADED SCREW BAR IS BOLTED THROUGH A PRE DRILLED HOLE.

A SPECIAL TOOL IS PROVIDED TO TIGHTEN THE FRAME TOGETHER. ALL FIXINGS FOR THE FRAME ARE PROVIDED.

STANDARD MONO OR DUO PITCH ROOF









COWLEY TIMBER + PARTNERS LTD

THE QUARRY GRANTHAM ROAD WADDINGTON LINCOLN LN5 9NT

T: 01522 720022 **F:** 01522 723681

E: MAIL@COWLEYTIMBER.CO.UK **W:** WWW.COWLEYTIMBER.CO.UK

REGISTERED OFFICE: 41 PEAR TREE STREET LONDON EC1V 3AG



ALL WOODS USED IN THE
MANUFACTURE OF OUR
CLADDING ARE FROM
SUSTAINABLE FORESTS