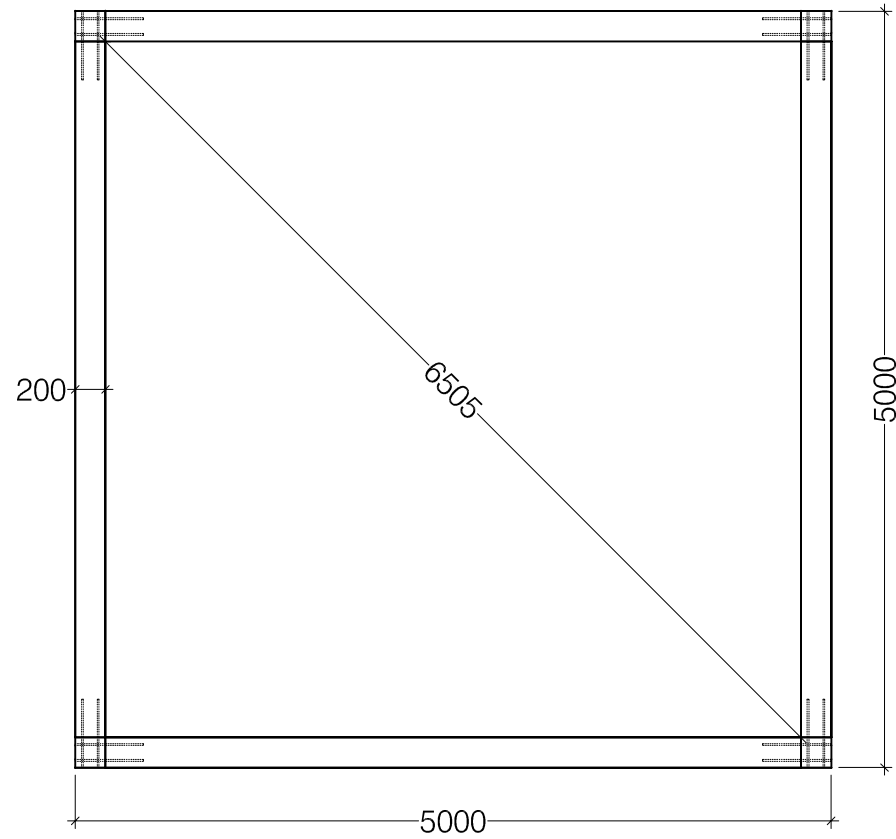
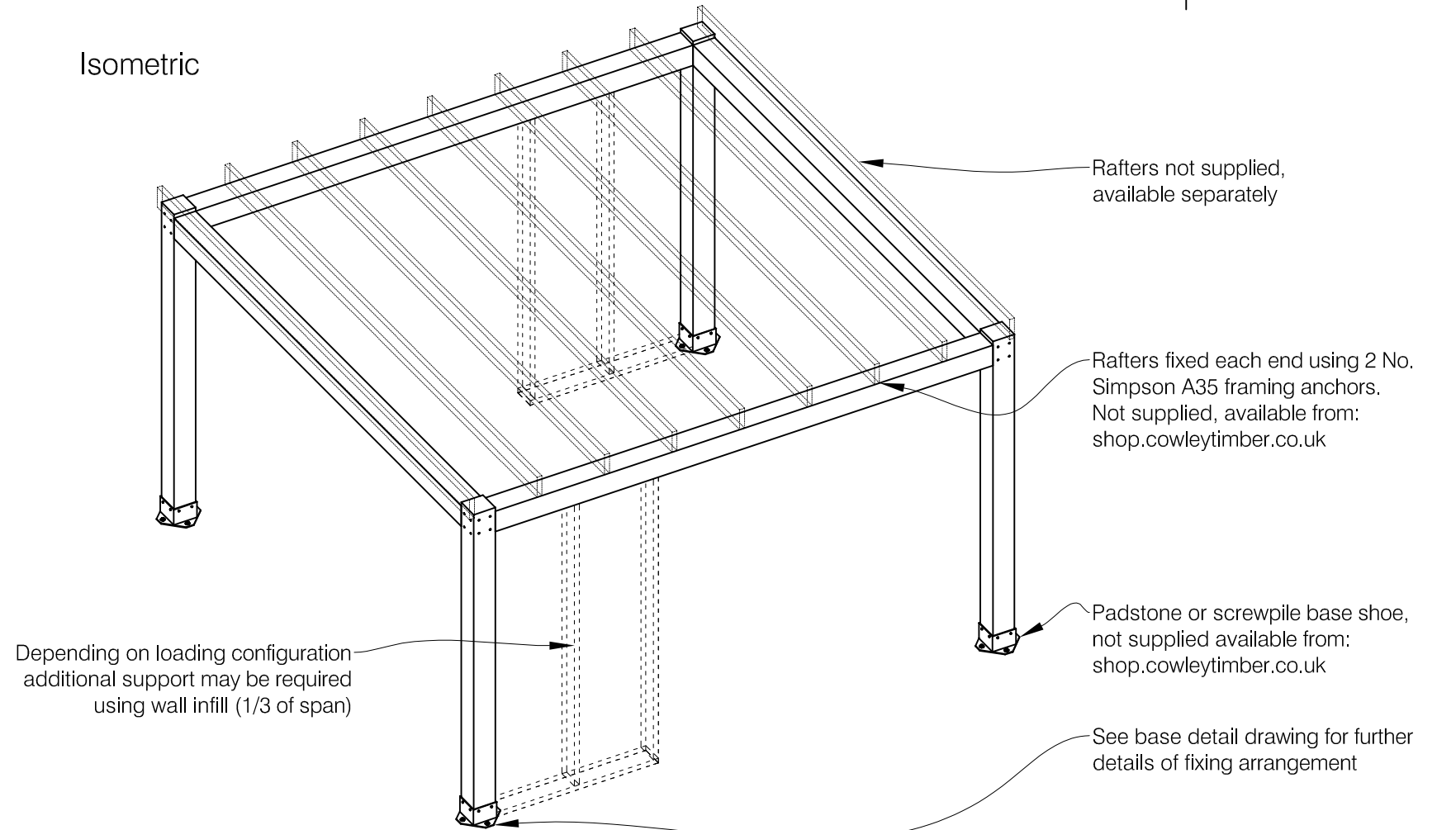


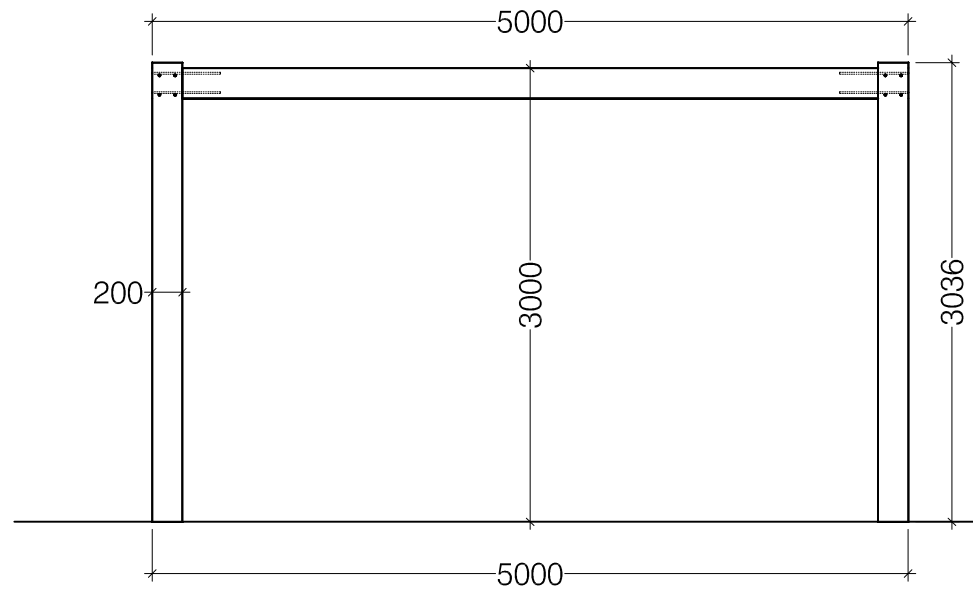
Plan



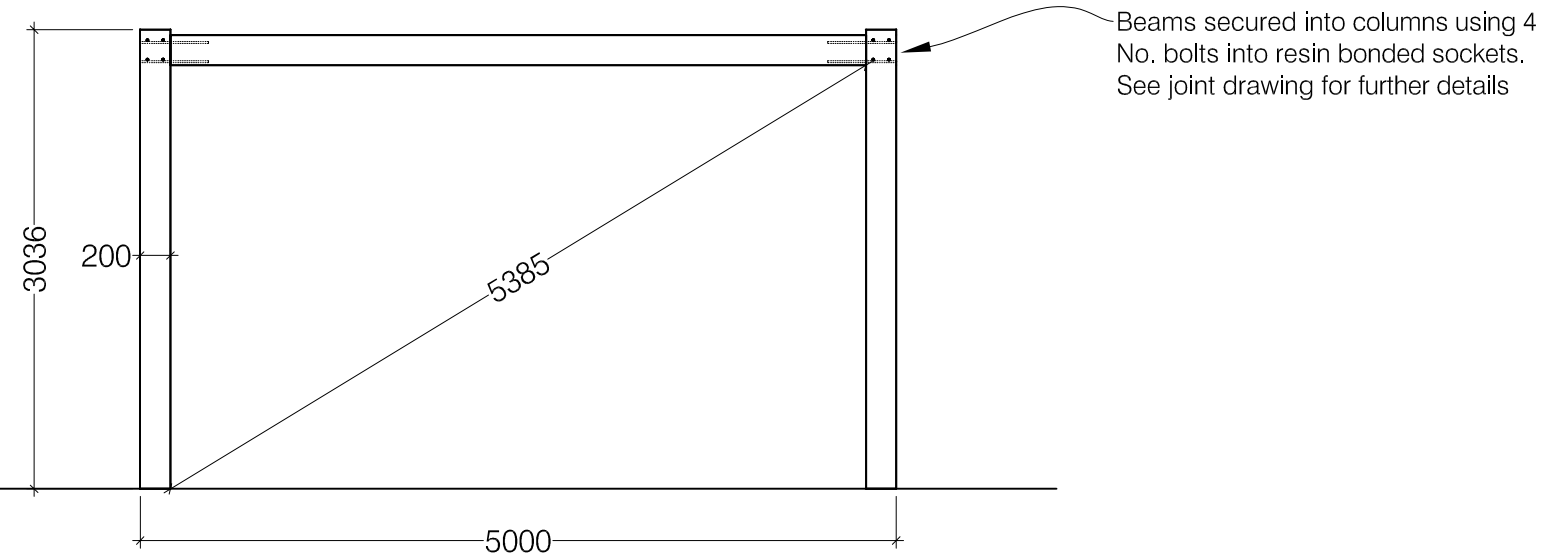
Isometric



Elevation



Elevation

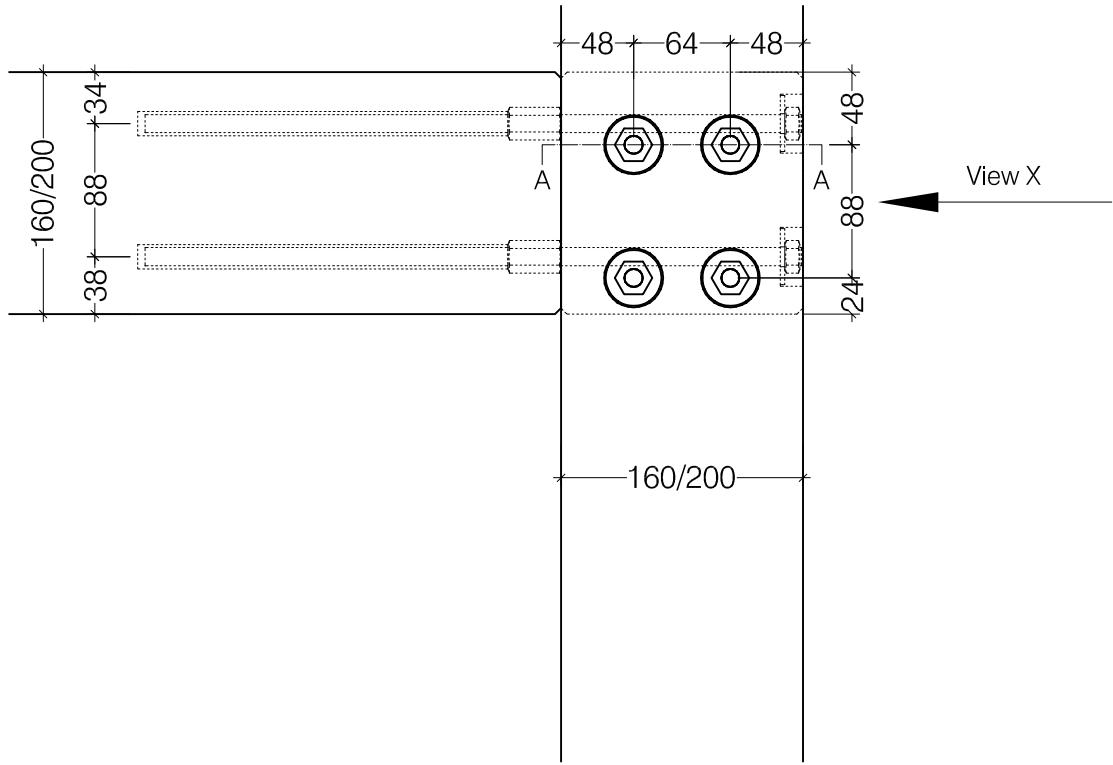


COWLEY TIMBER & PARTNERS LTD
 41 Pear Tree Street London EC1V 3AG
 Tel: 01522 720 022 Fax: 01522 723 681
www.cowleytimber.co.uk

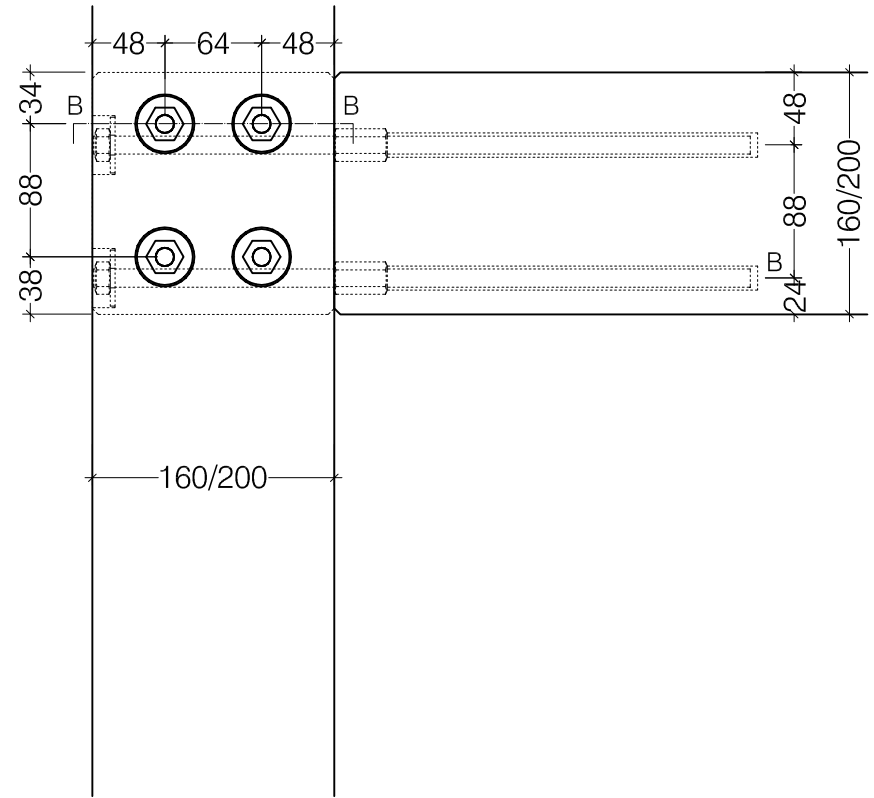
Job Title: Quick Frame
 Drawing Title: Flat - 5m x 5m - 200

| | | |
|--------|----------|-----|
| Scale | 1 : 50 | @A3 |
| Date | 19/01/17 | |
| Drawn | A D P | |
| Drg No | QF-014 | |

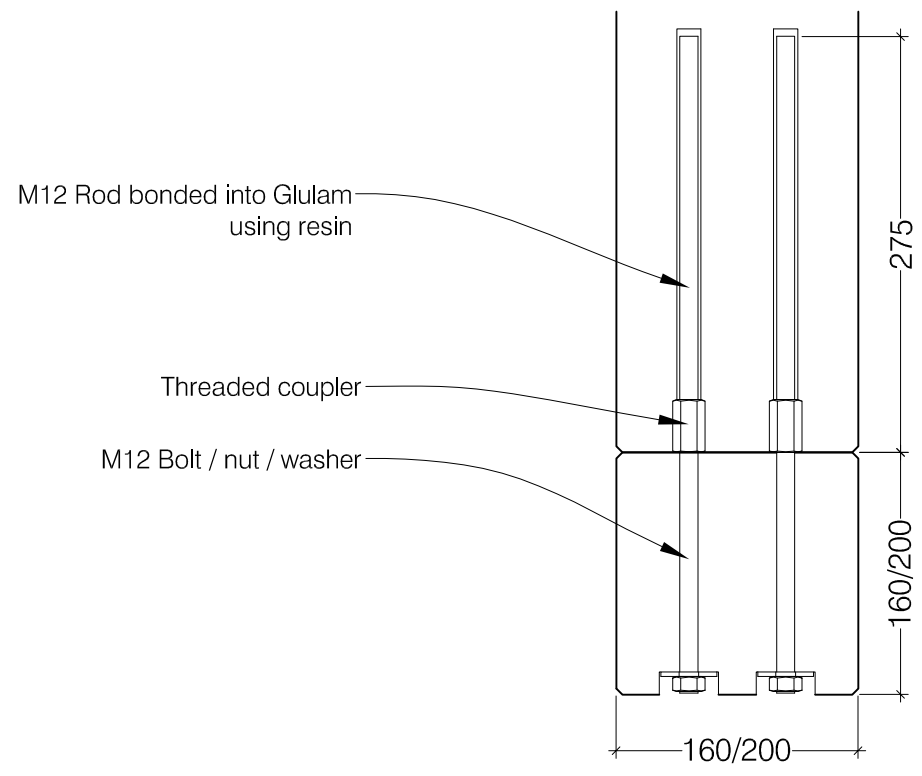
Joint Elevation



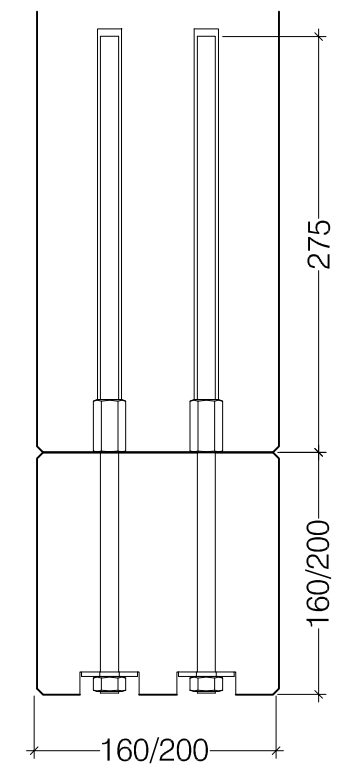
View X



Section A - A - Rod Bonding - Detail

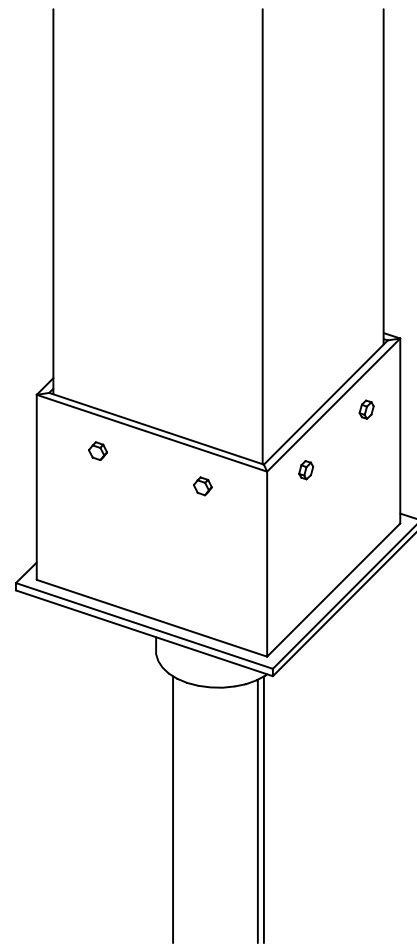


Section B - B

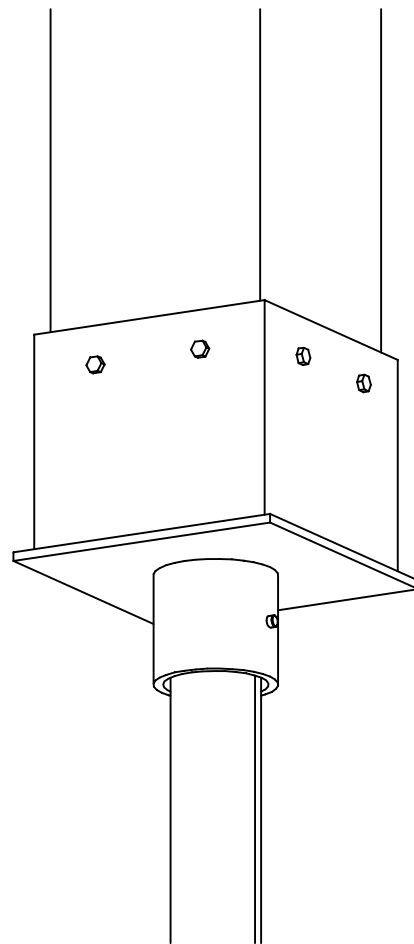


| | | |
|---|---------------|------------------|
| COWLEY TIMBER & PARTNERS LTD 41 Pear Tree Street London EC1V 3AG Tel: 01522 720 022 Fax: 01522 723 681 www.cowleytimber.co.uk | Job Title | Scale 1 : 5 @A3 |
| | Quick Frame | Date 13/01/17 |
| | Drawing Title | Drawn A D P |
| | Joint | Drg No QF-100 01 |

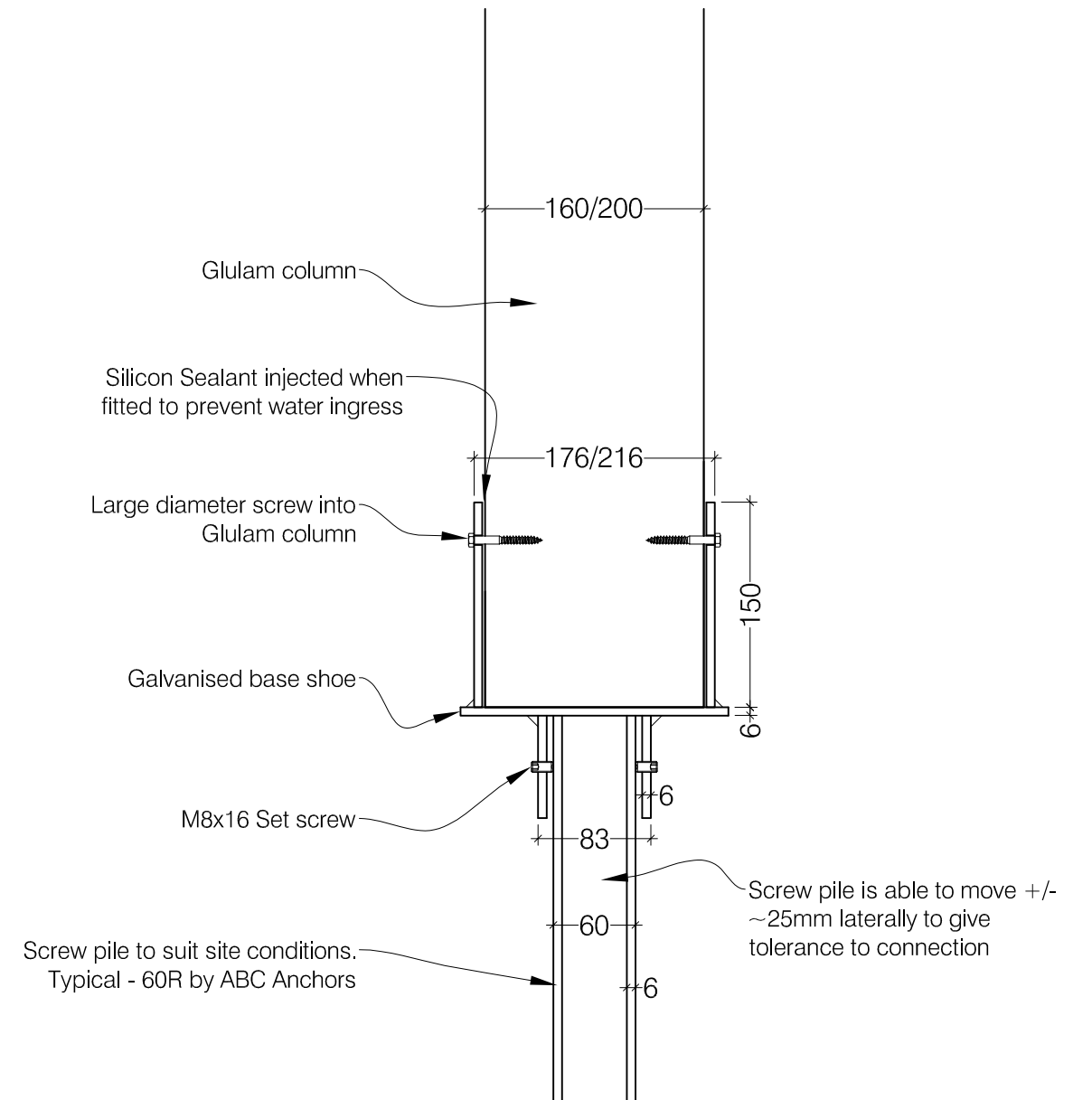
Isometric - From Above



Isometric - From Below



Vertical Section



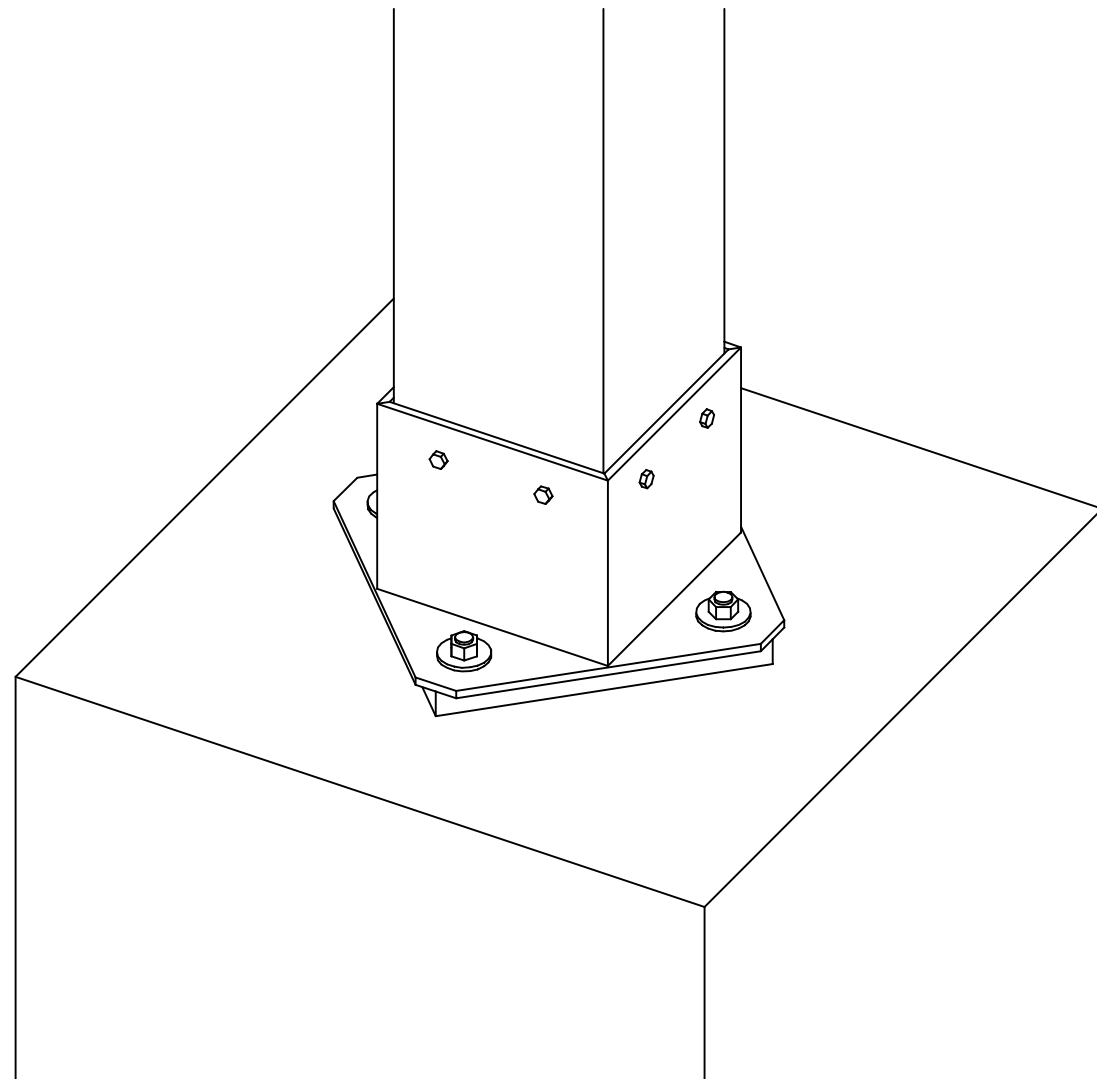
COWLEY TIMBER & PARTNERS LTD

41 Pear Tree Street London EC1V 3AG
 Tel: 01522 720 022 Fax: 01522 723 681
 www.cowleytimber.co.uk

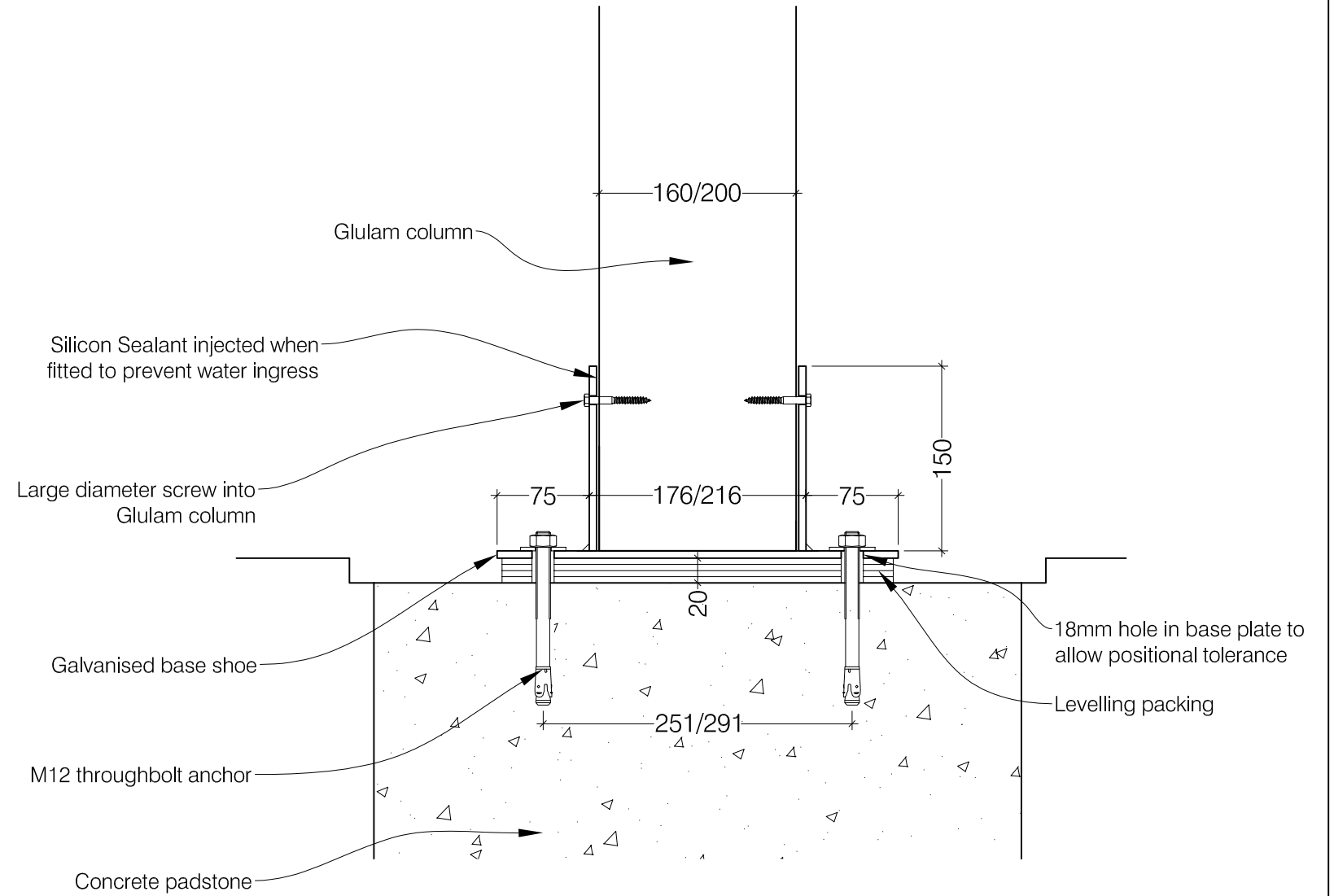
Job Title
 Quick Frame
 Drawing Title
 Screw Pile Base

| | | |
|--------|----------|-----|
| Scale | 1 : 5 | @A3 |
| Date | 24/01/17 | |
| Drawn | A D P | |
| Drg No | QF/101 | |

Isometric - From Above



Vertical Section



COWLEY TIMBER & PARTNERS LTD
 41 Pear Tree Street London EC1V 3AG
 Tel: 01522 720 022 Fax: 01522 723 681
 www.cowleytimber.co.uk

Job Title
 Quick Frame
 Drawing Title
 Padstone Base

| | | |
|--------|----------|-----|
| Scale | 1 : 5 | @A3 |
| Date | 24/01/17 | |
| Drawn | A D P | |
| Drg No | QF/102 | |