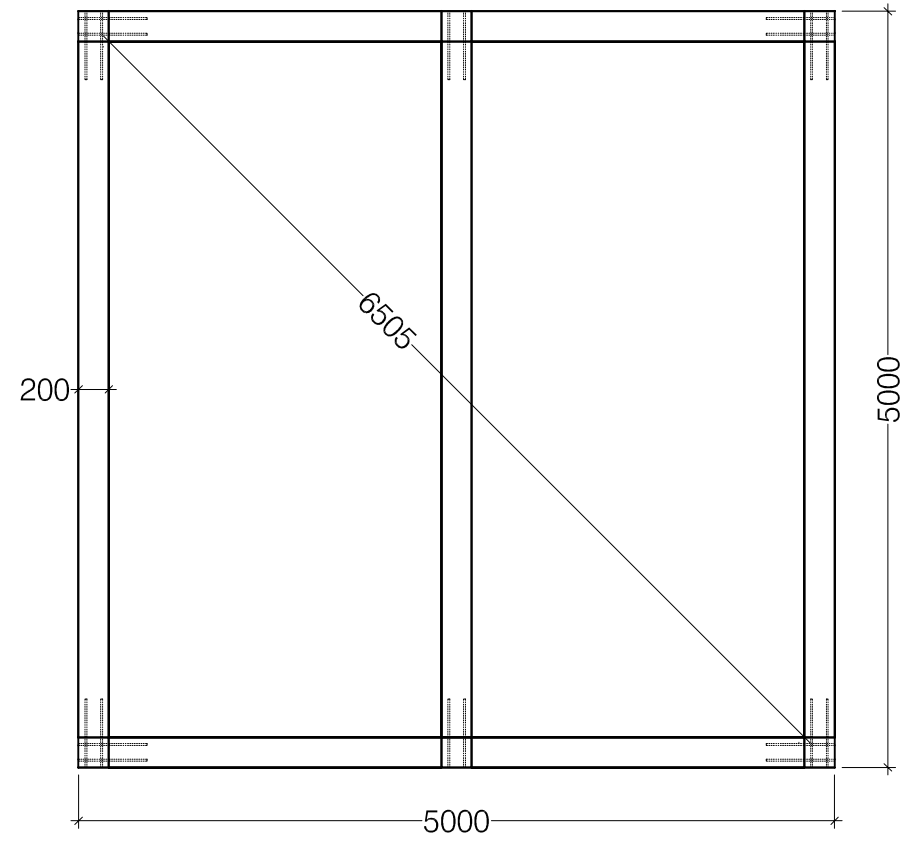
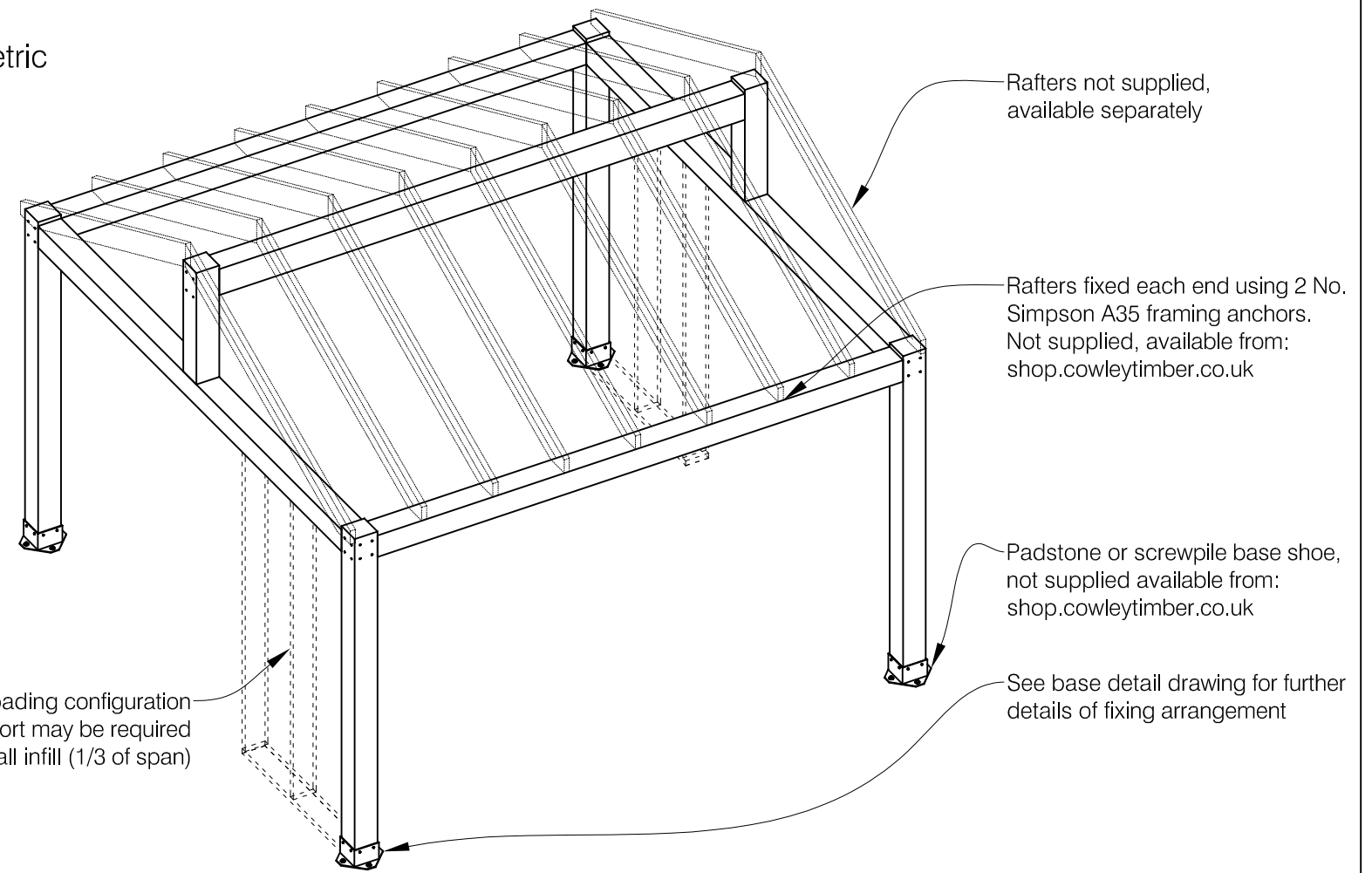


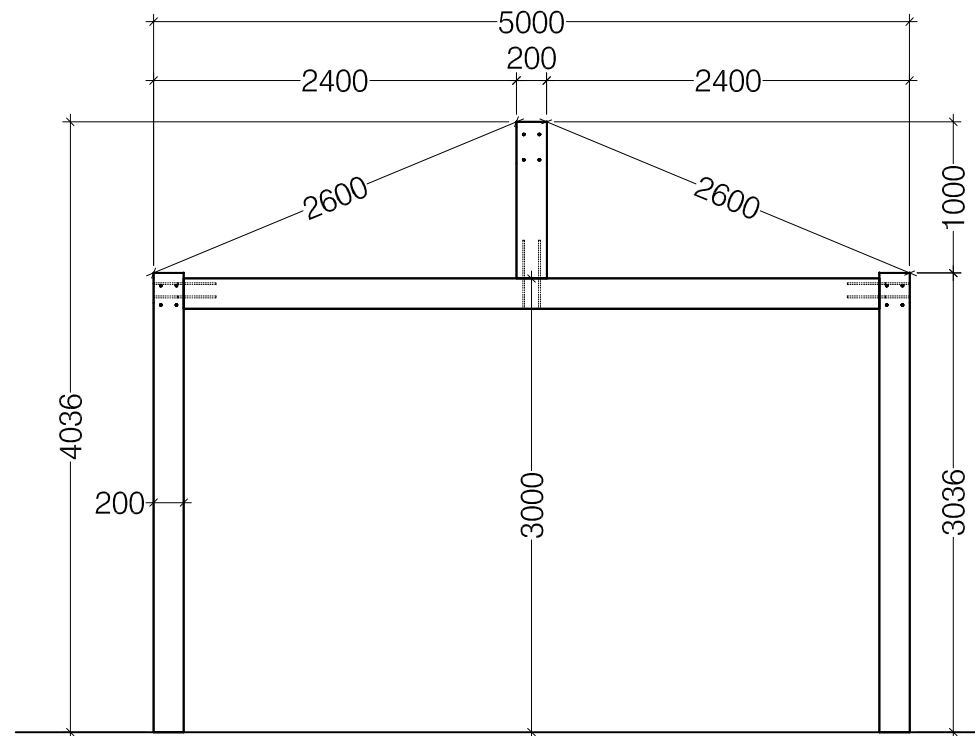
Plan



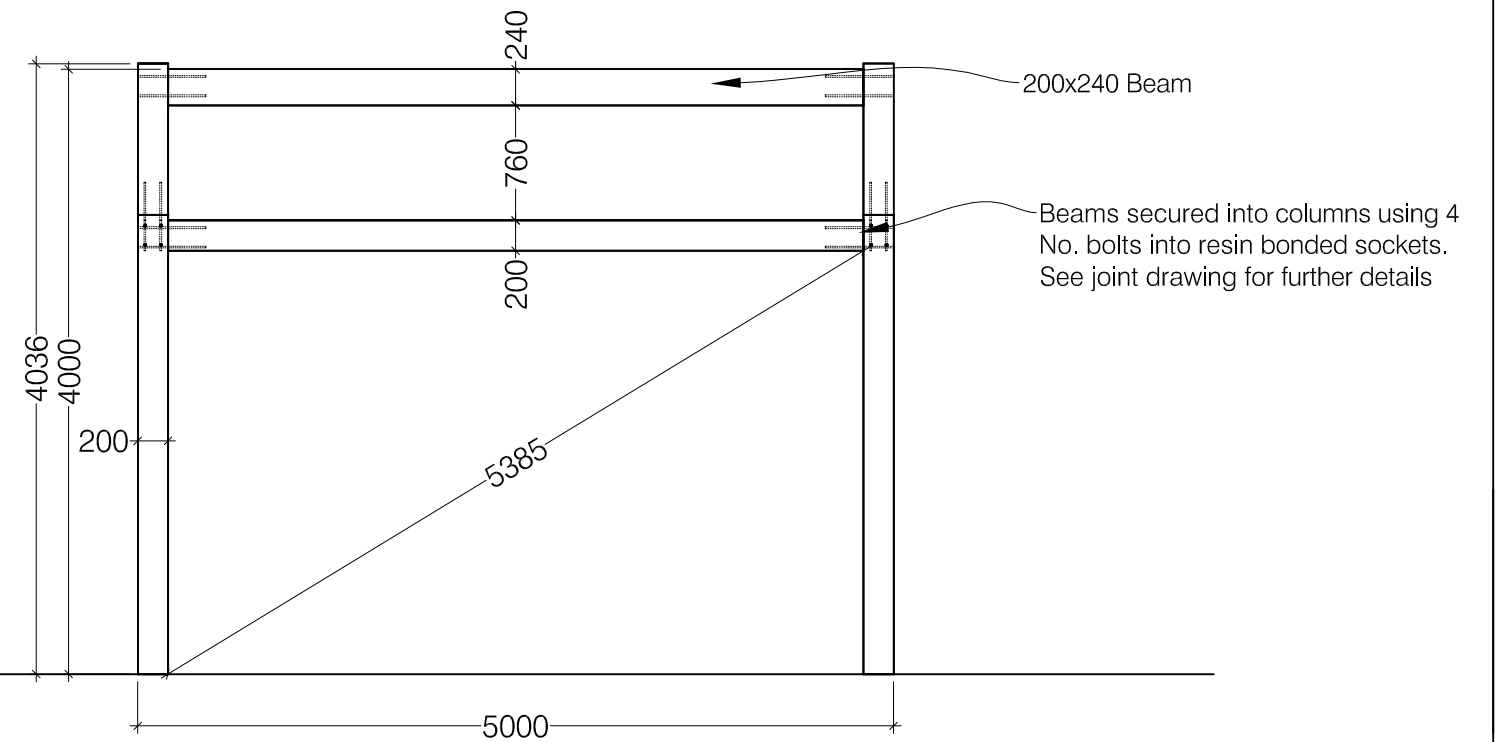
Isometric



Elevation



Elevation



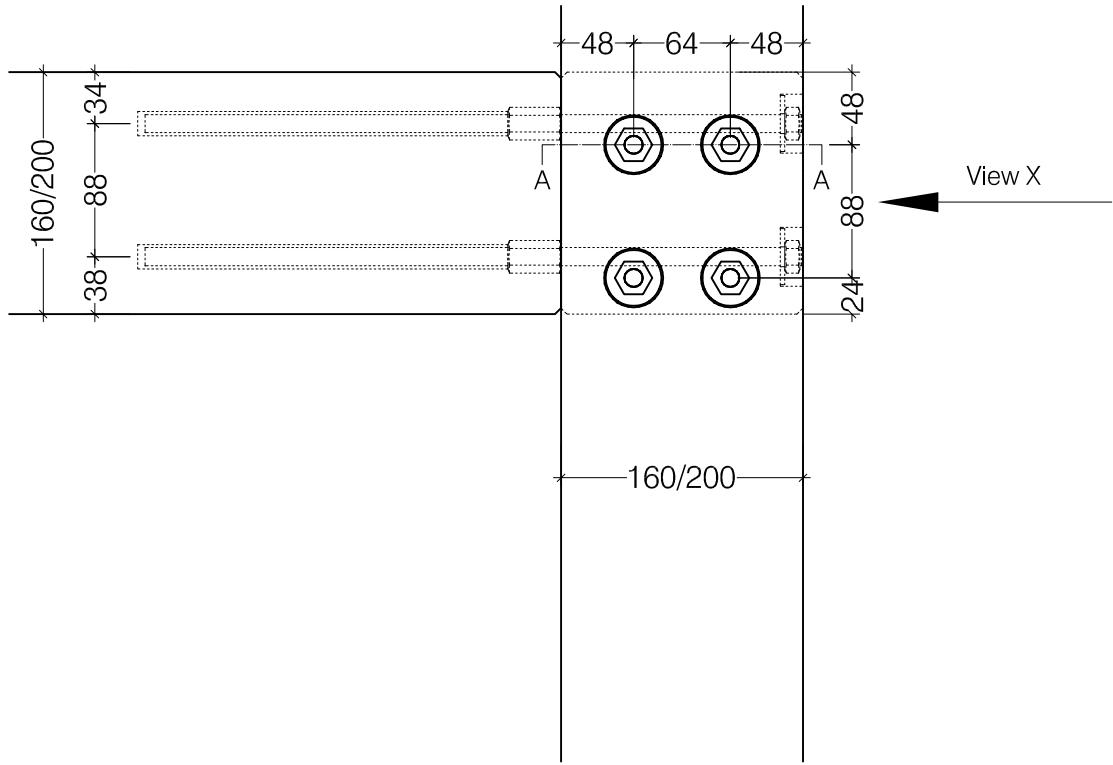
**COWLEY TIMBER & PARTNERS LTD**

41 Pear Tree Street London EC1V 3AG  
 Tel: 01522 720 022 Fax: 01522 723 681  
 www.cowleytimber.co.uk

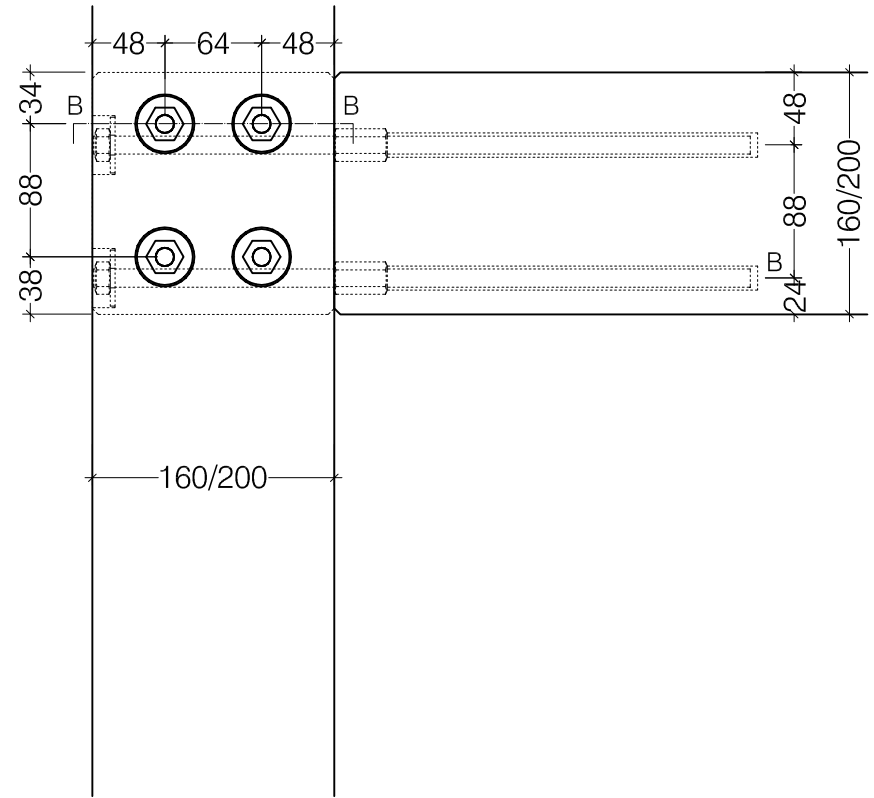
Job Title: Quick Frame  
 Drawing Title: Duo Pitch - 5m x 5m - 200

Scale	1 : 50	@A3
Date	31/01/17	
Drawn	A D P	
Drg No	QF-016	

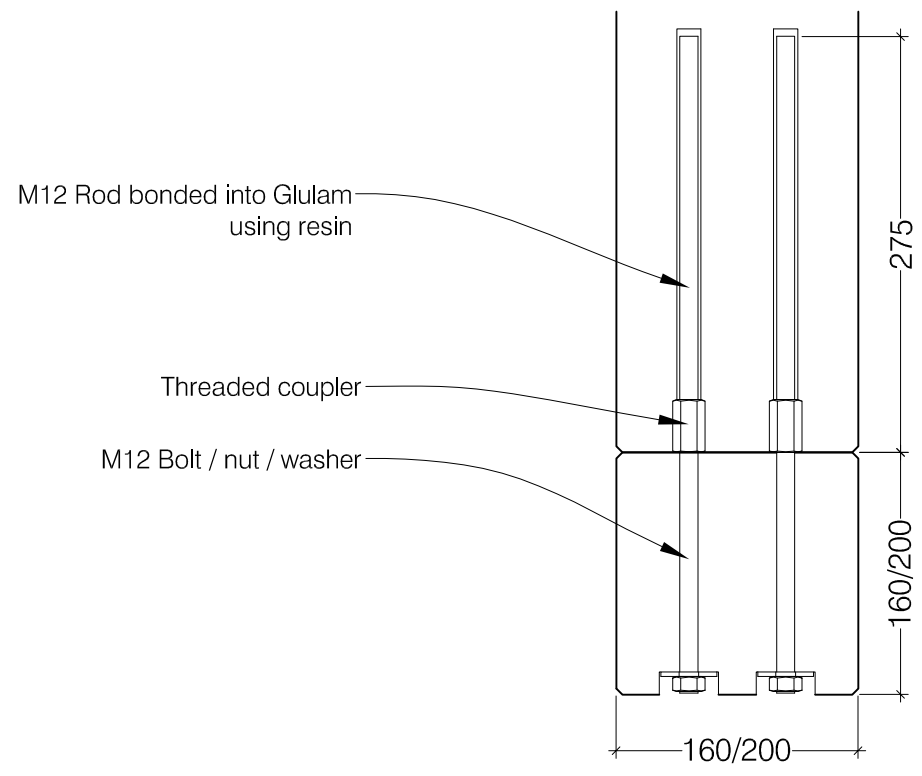
Joint Elevation



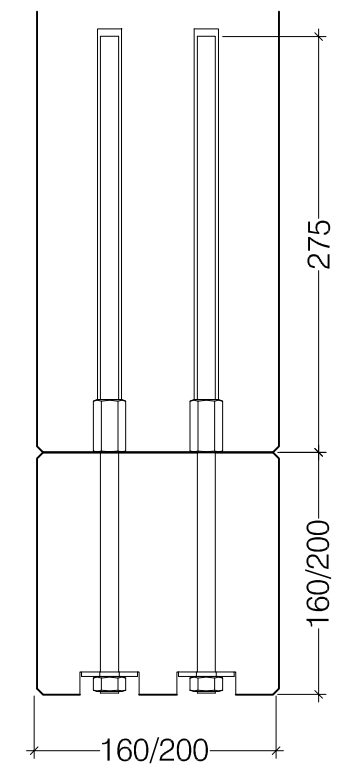
View X



Section A - A - Rod Bonding - Detail

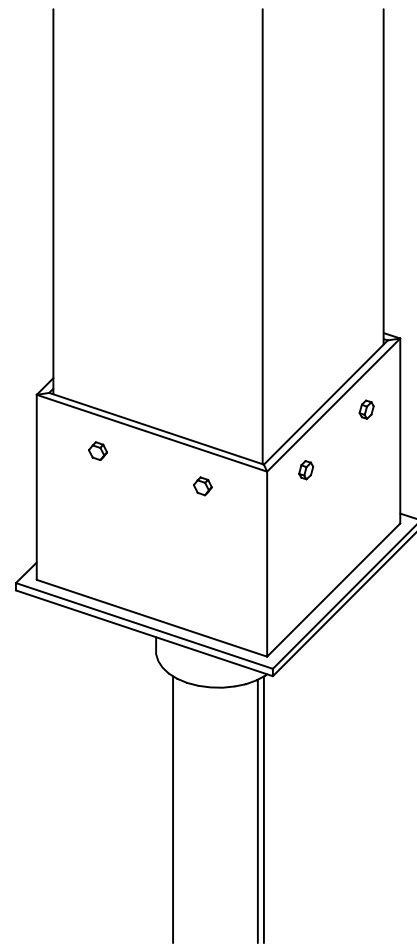


Section B - B

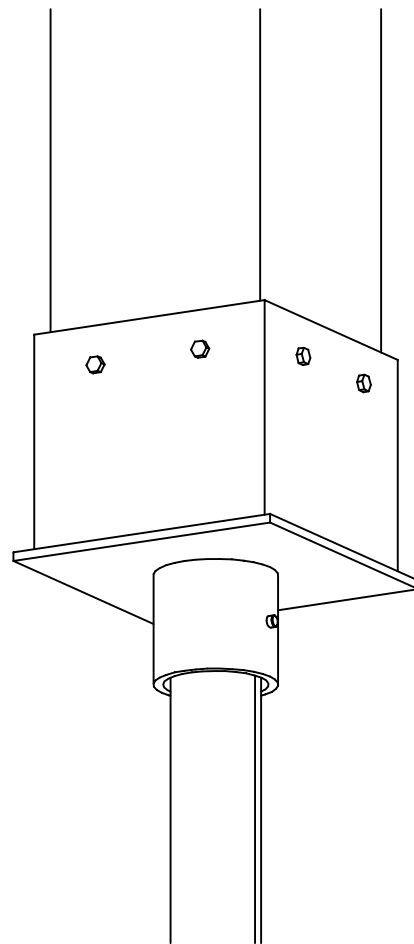


<b>COWLEY TIMBER &amp; PARTNERS LTD</b> 41 Pear Tree Street London EC1V 3AG Tel: 01522 720 022 Fax: 01522 723 681 www.cowleytimber.co.uk	Job Title	Scale 1 : 5 @A3
	Quick Frame	Date 13/01/17
	Drawing Title	Drawn A D P
	Joint	Drg No QF-100 01

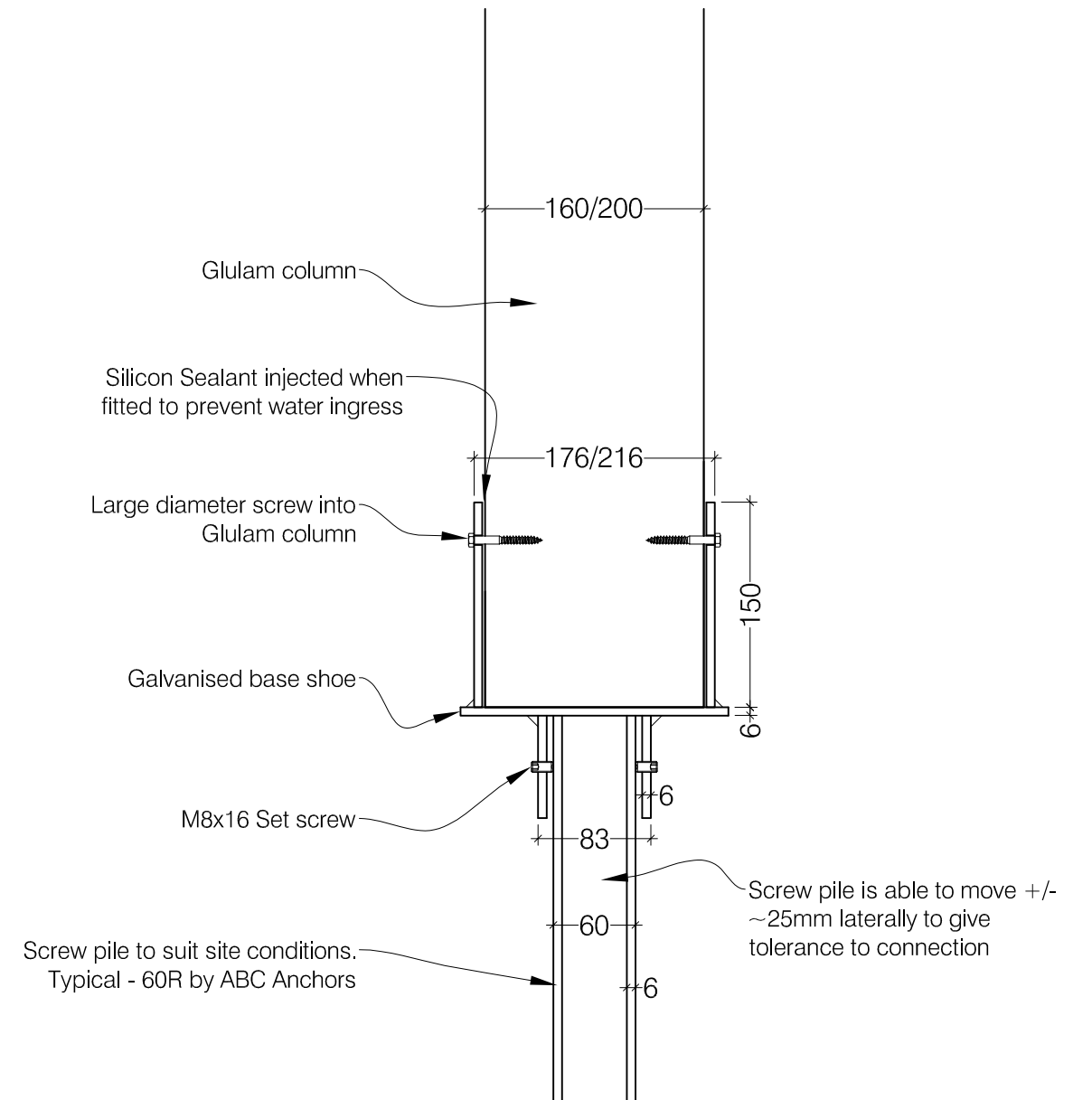
Isometric - From Above



Isometric - From Below



Vertical Section



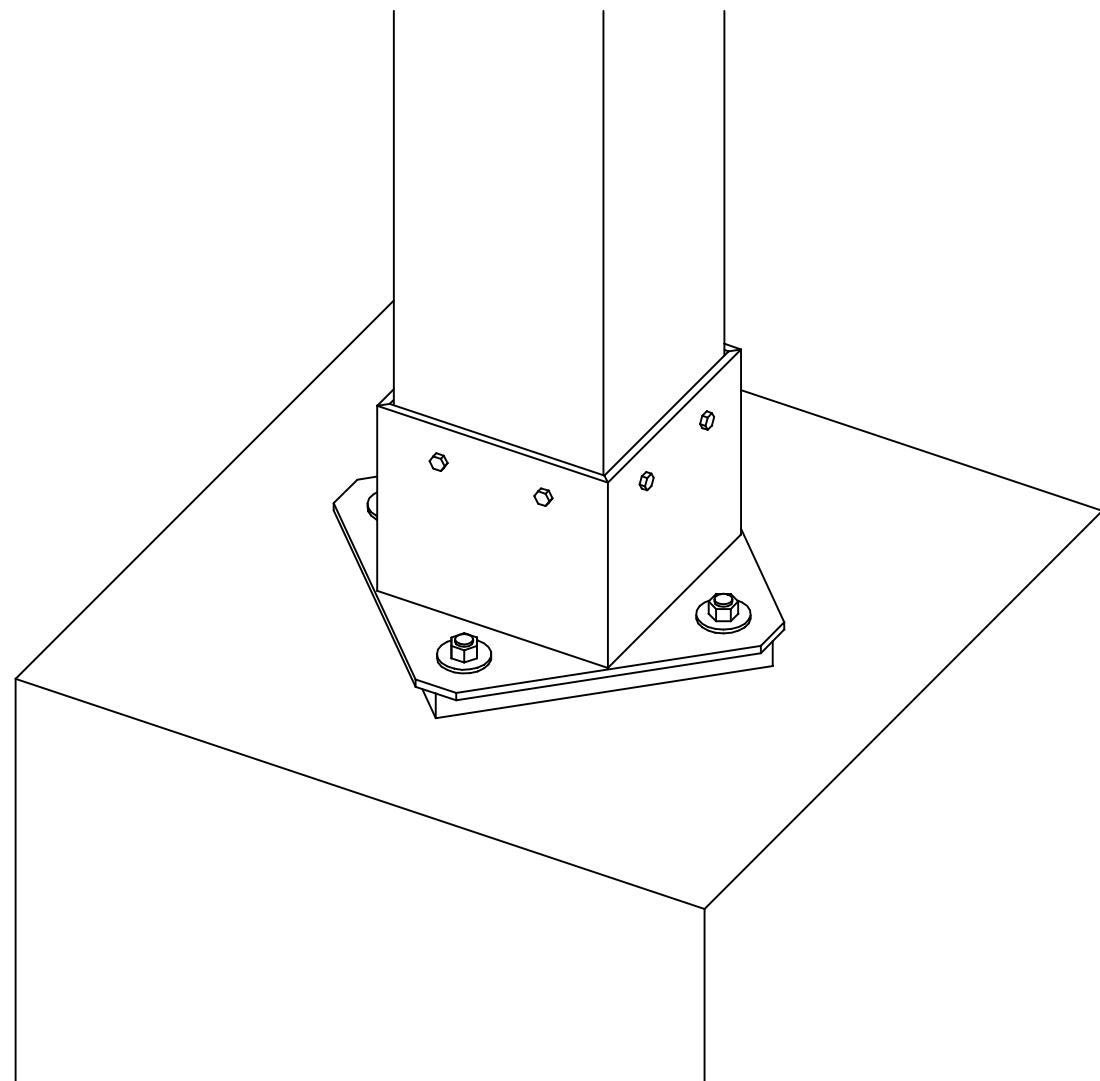
**COWLEY TIMBER & PARTNERS LTD**

41 Pear Tree Street London EC1V 3AG  
 Tel: 01522 720 022 Fax: 01522 723 681  
 www.cowleytimber.co.uk

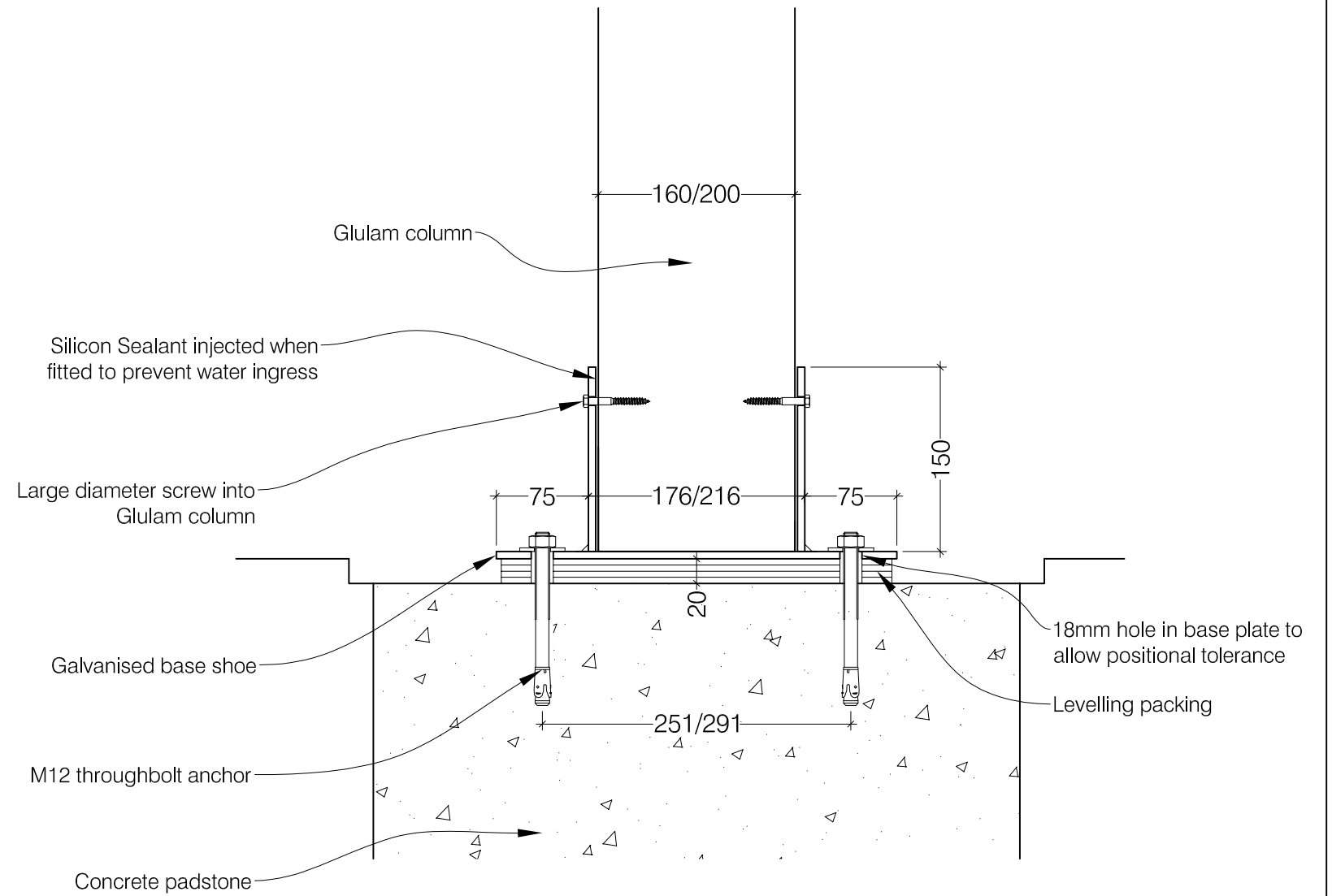
Job Title  
 Quick Frame  
 Drawing Title  
 Screw Pile Base

Scale	1 : 5	@A3
Date	24/01/17	
Drawn	A D P	
Drg No	QF/101	

Isometric - From Above



Vertical Section



**COWLEY TIMBER & PARTNERS LTD**  
 41 Pear Tree Street London EC1V 3AG  
 Tel: 01522 720 022 Fax: 01522 723 681  
 www.cowleytimber.co.uk

Job Title  
 Quick Frame  
 Drawing Title  
 Padstone Base

Scale	1 : 5	@A3
Date	24/01/17	
Drawn	A D P	
Drg No	QF/102	