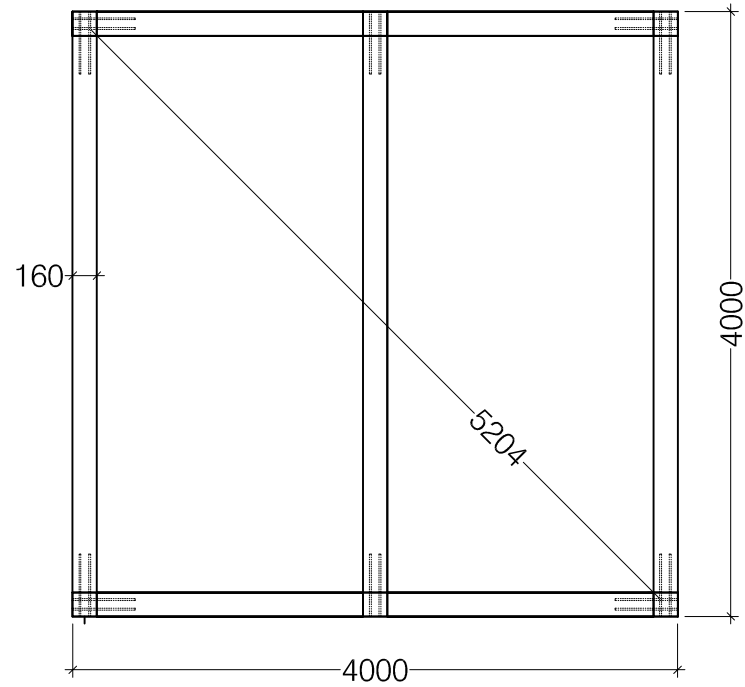
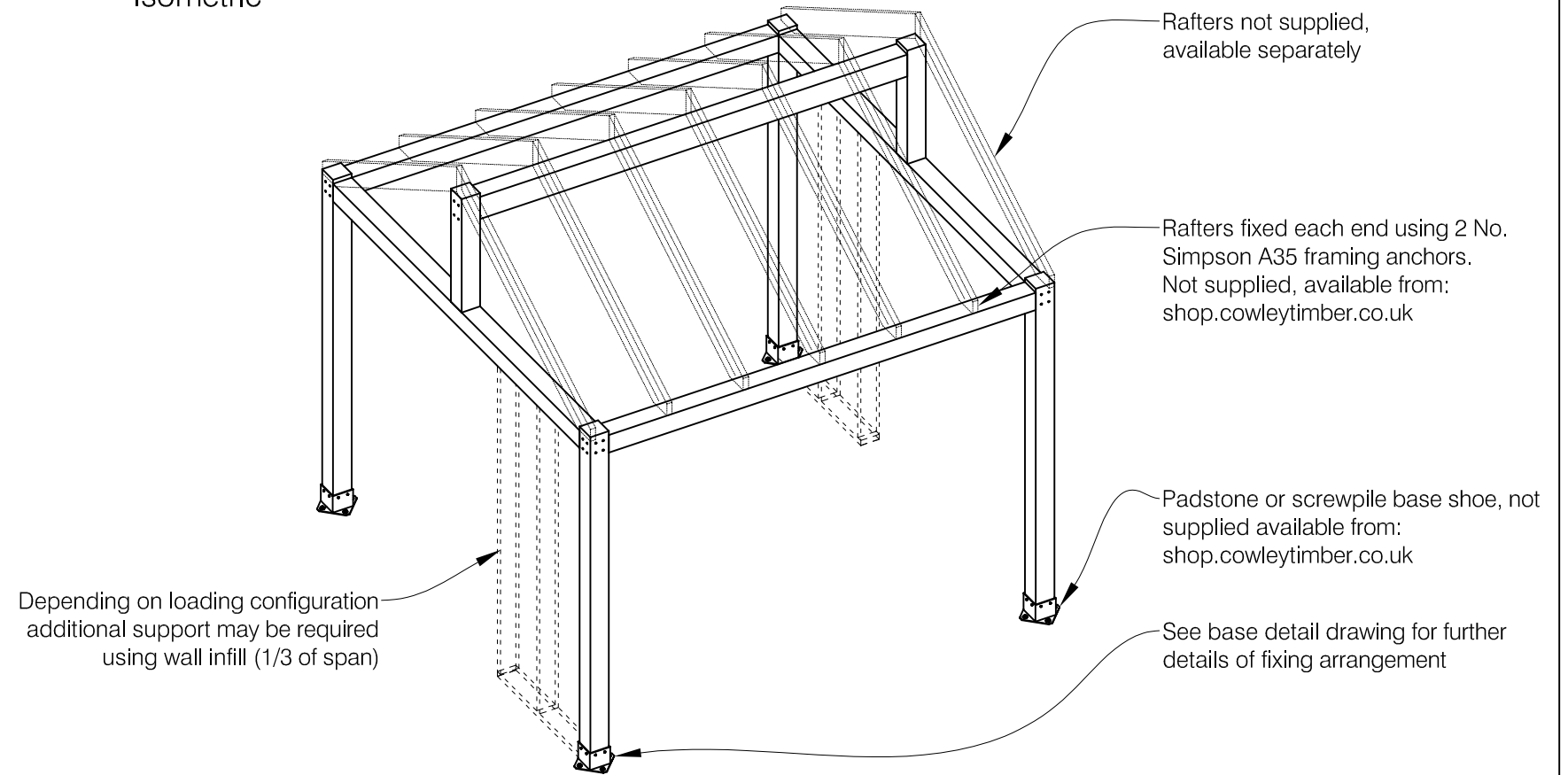


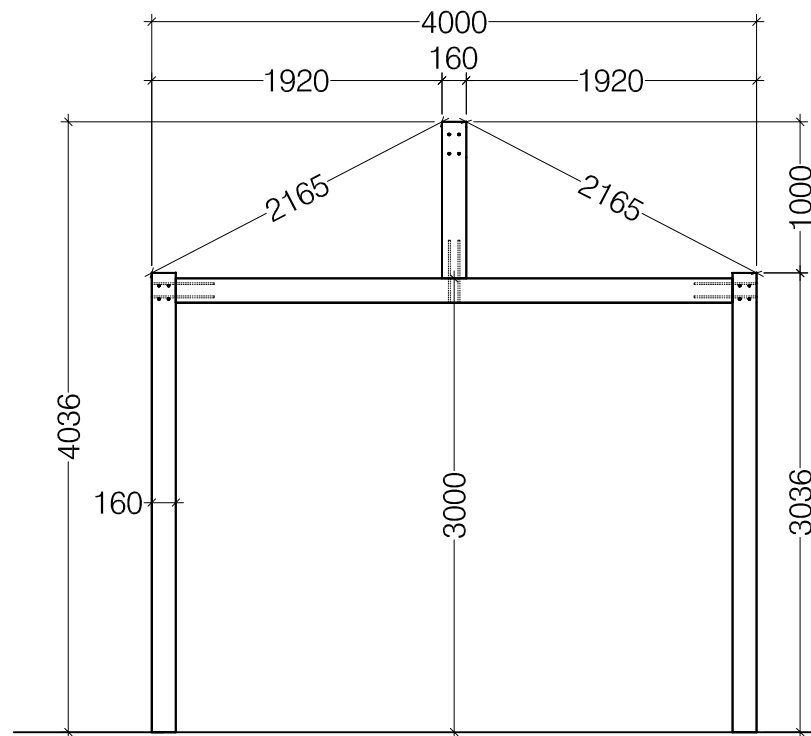
Plan



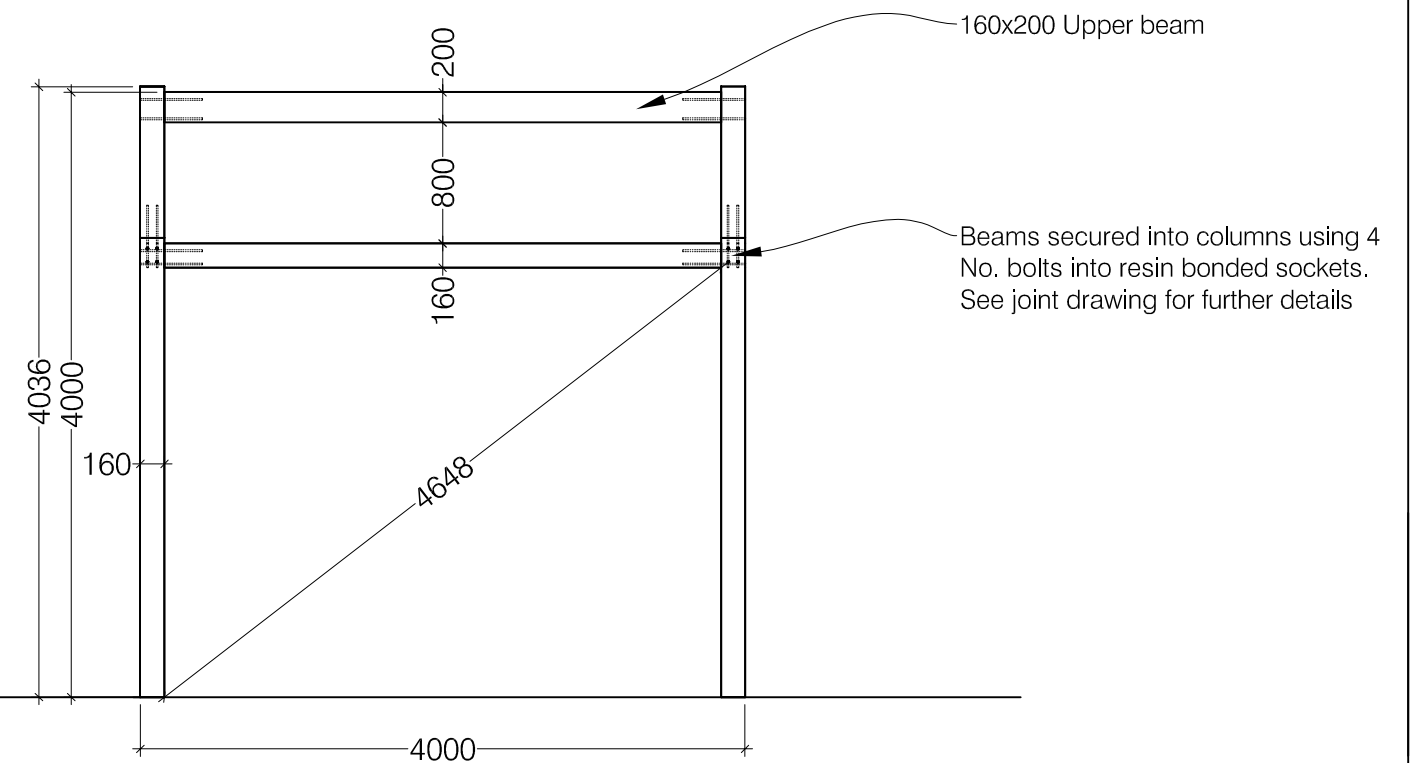
Isometric



Elevation



Elevation



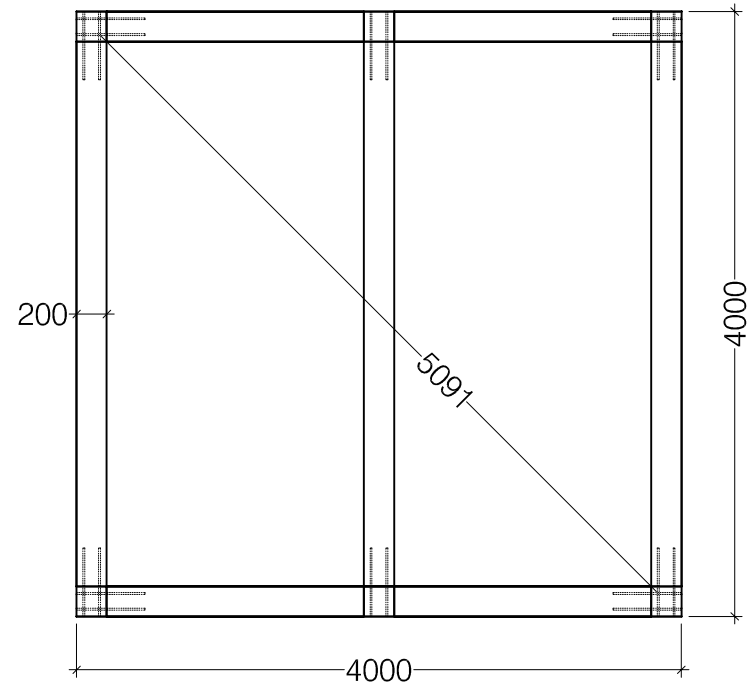
COWLEY TIMBER & PARTNERS LTD

41 Pear Tree Street London EC1V 3AG
Tel: 01522 720 022 Fax: 01522 723 681
www.cowleytimber.co.uk

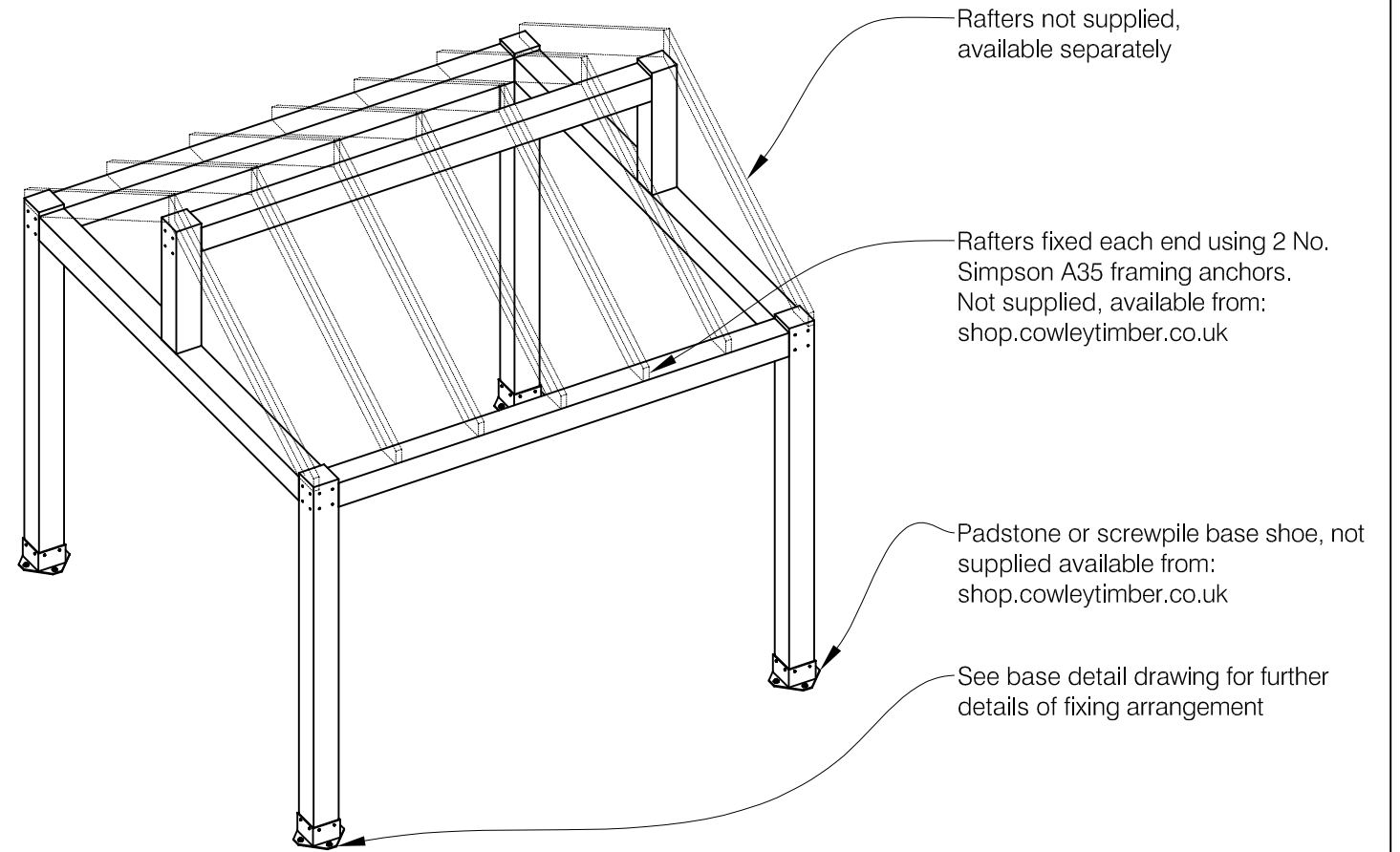
Job Title
Quick Frame
Drawing Title
Duo Pitch - 4m x 4m - 160

Scale	1 : 50	@A3
Date	19/01/17	
Drawn	A D P	
Drg No	QF-010	

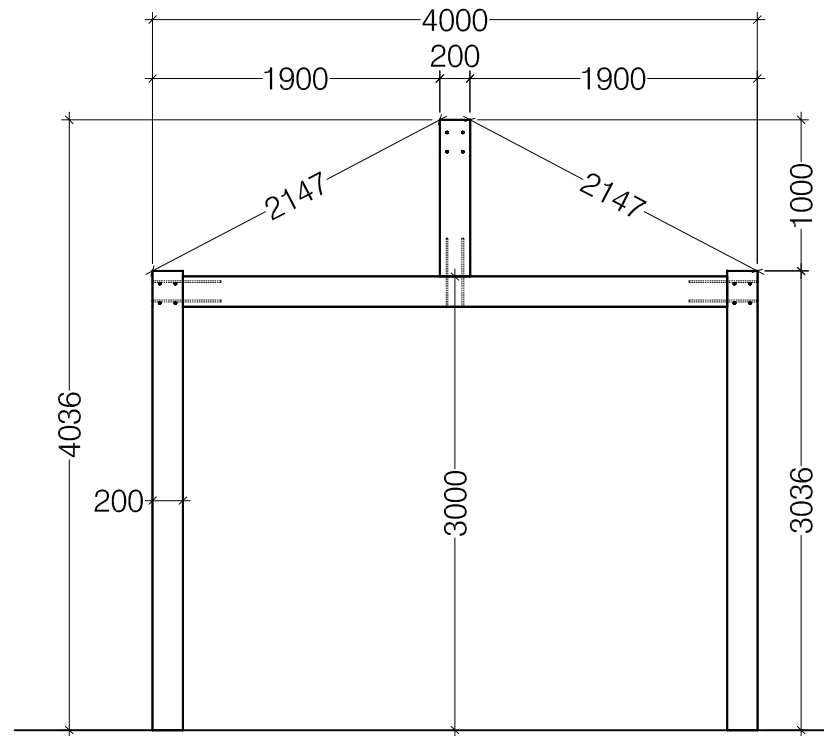
Plan



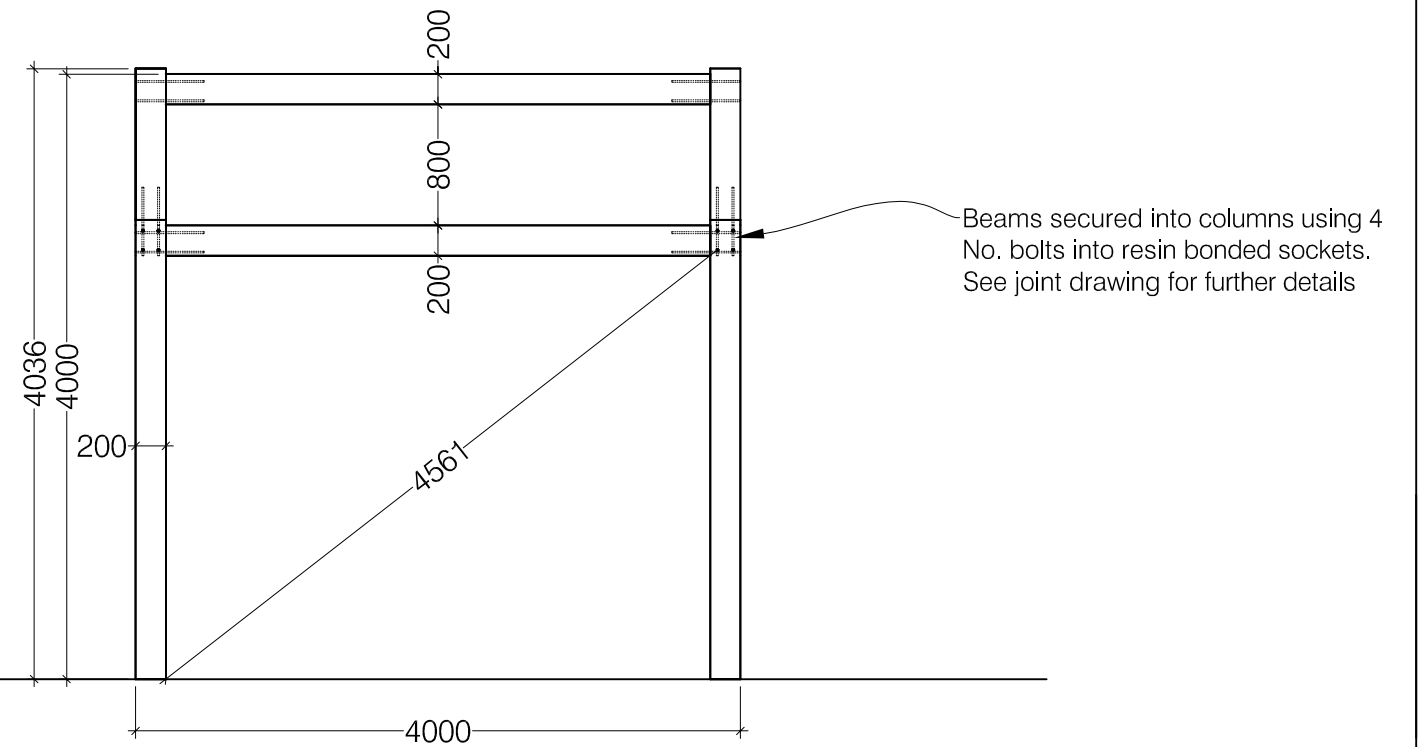
Isometric



Elevation



Elevation



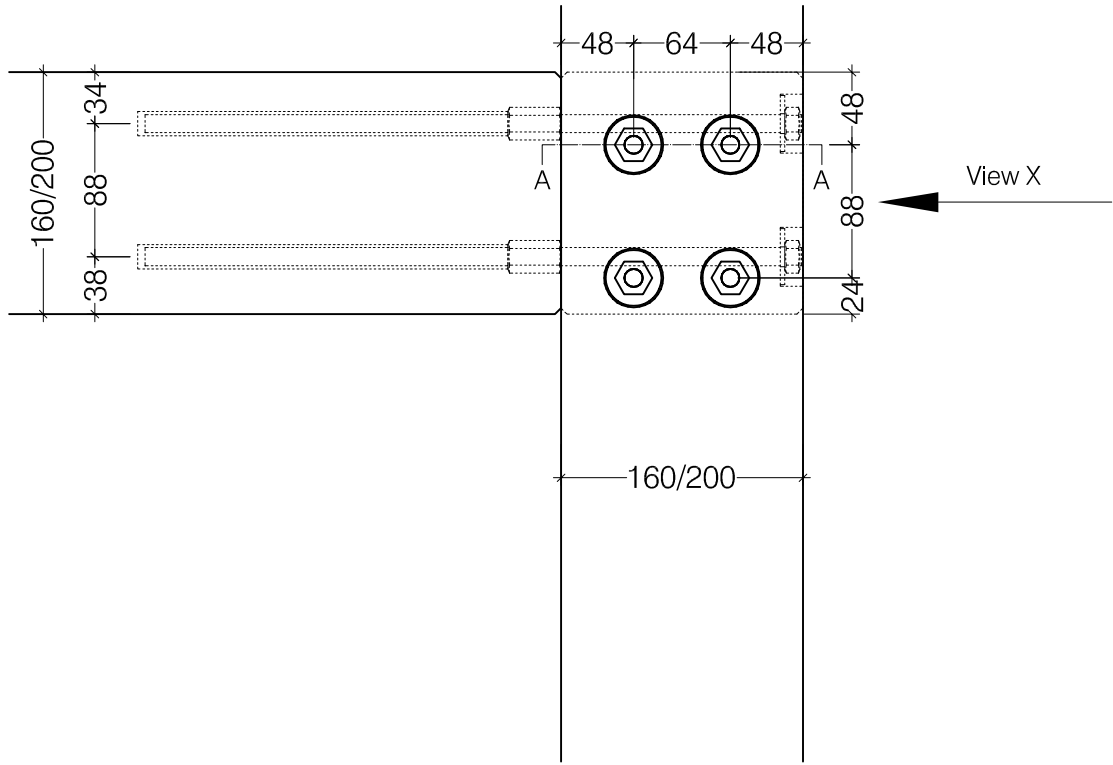
COWLEY TIMBER & PARTNERS LTD

41 Pear Tree Street London EC1V 3AG
Tel: 01522 720 022 Fax: 01522 723 681
www.cowleytimber.co.uk

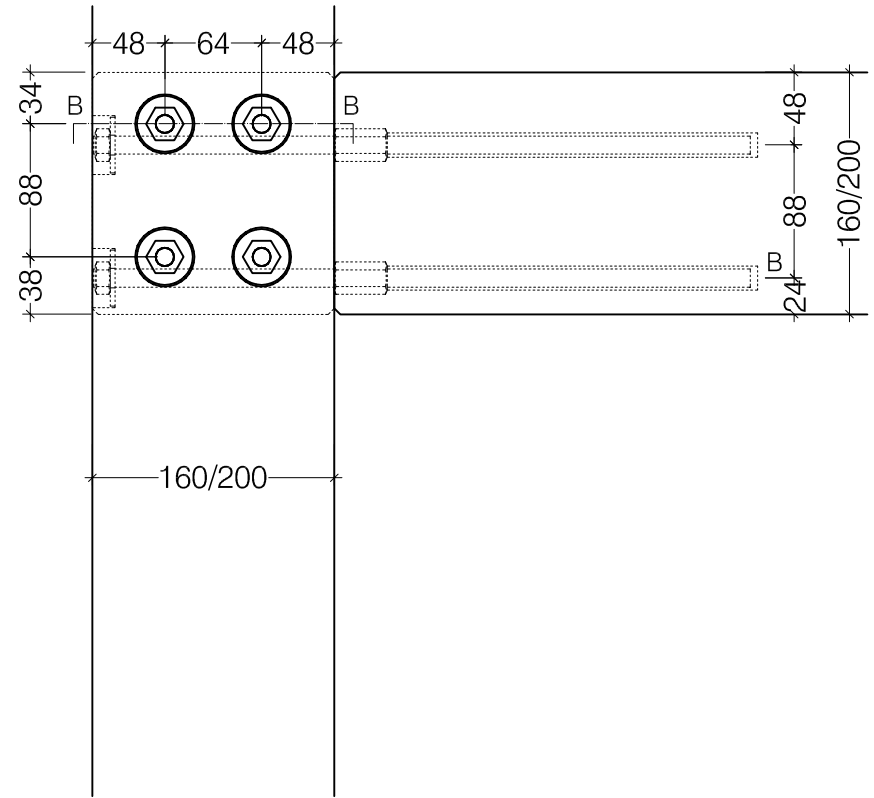
Job Title
Quick Frame
Drawing Title
Duo Pitch - 4m x 4m - 200

Scale	1 : 50	@A3
Date	19/01/17	
Drawn	A D P	
Drg No	QF-013	

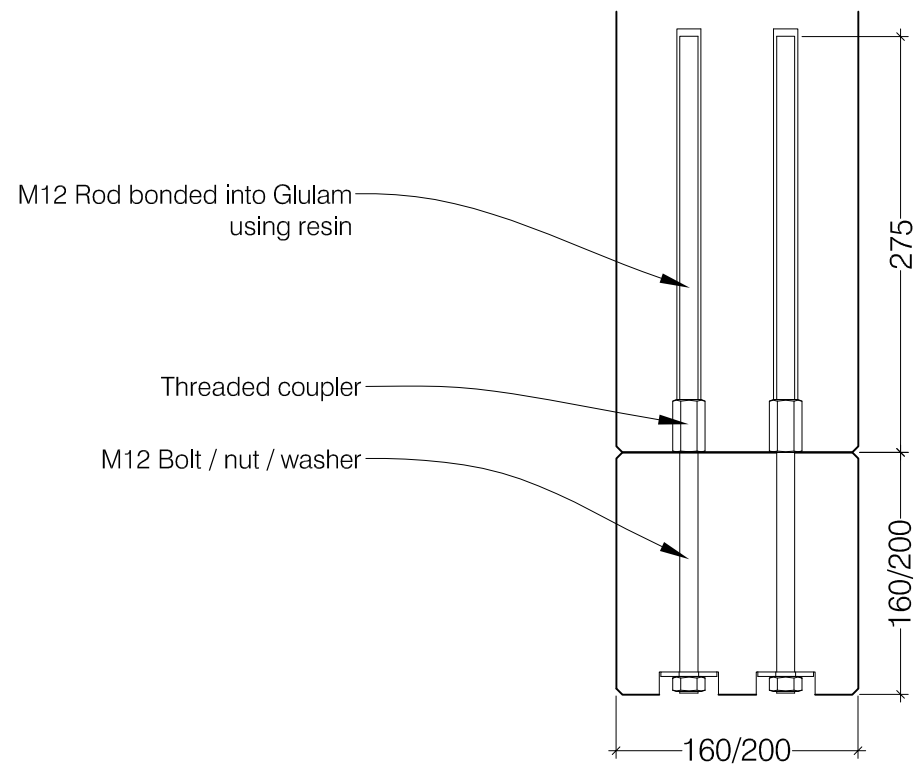
Joint Elevation



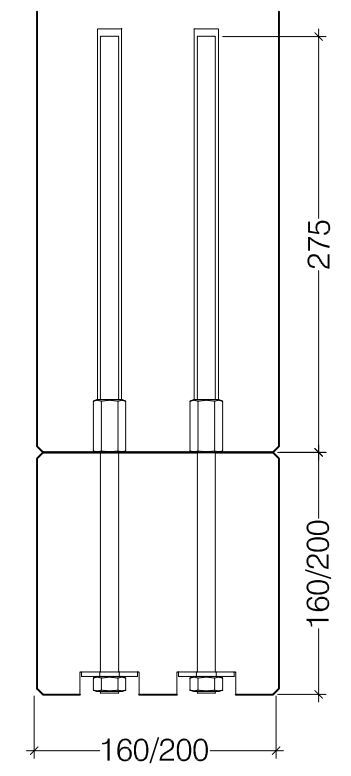
View X



Section A - A - Rod Bonding - Detail

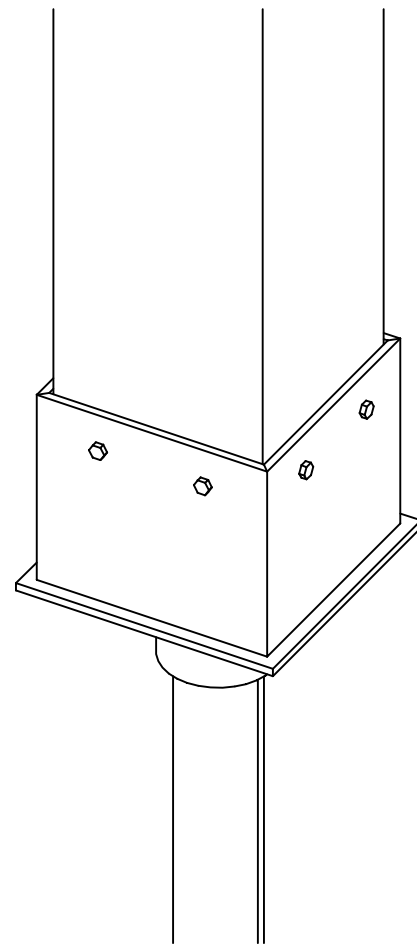


Section B - B

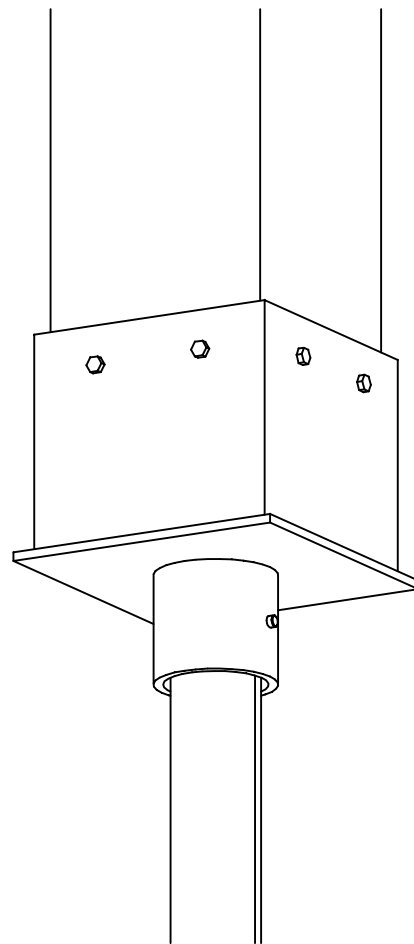


COWLEY TIMBER & PARTNERS LTD 41 Pear Tree Street London EC1V 3AG Tel: 01522 720 022 Fax: 01522 723 681 www.cowleytimber.co.uk	Job Title	Scale 1 : 5 @A3
	Quick Frame	Date 13/01/17
	Drawing Title	Drawn A D P
	Joint	Drg No QF-100 01

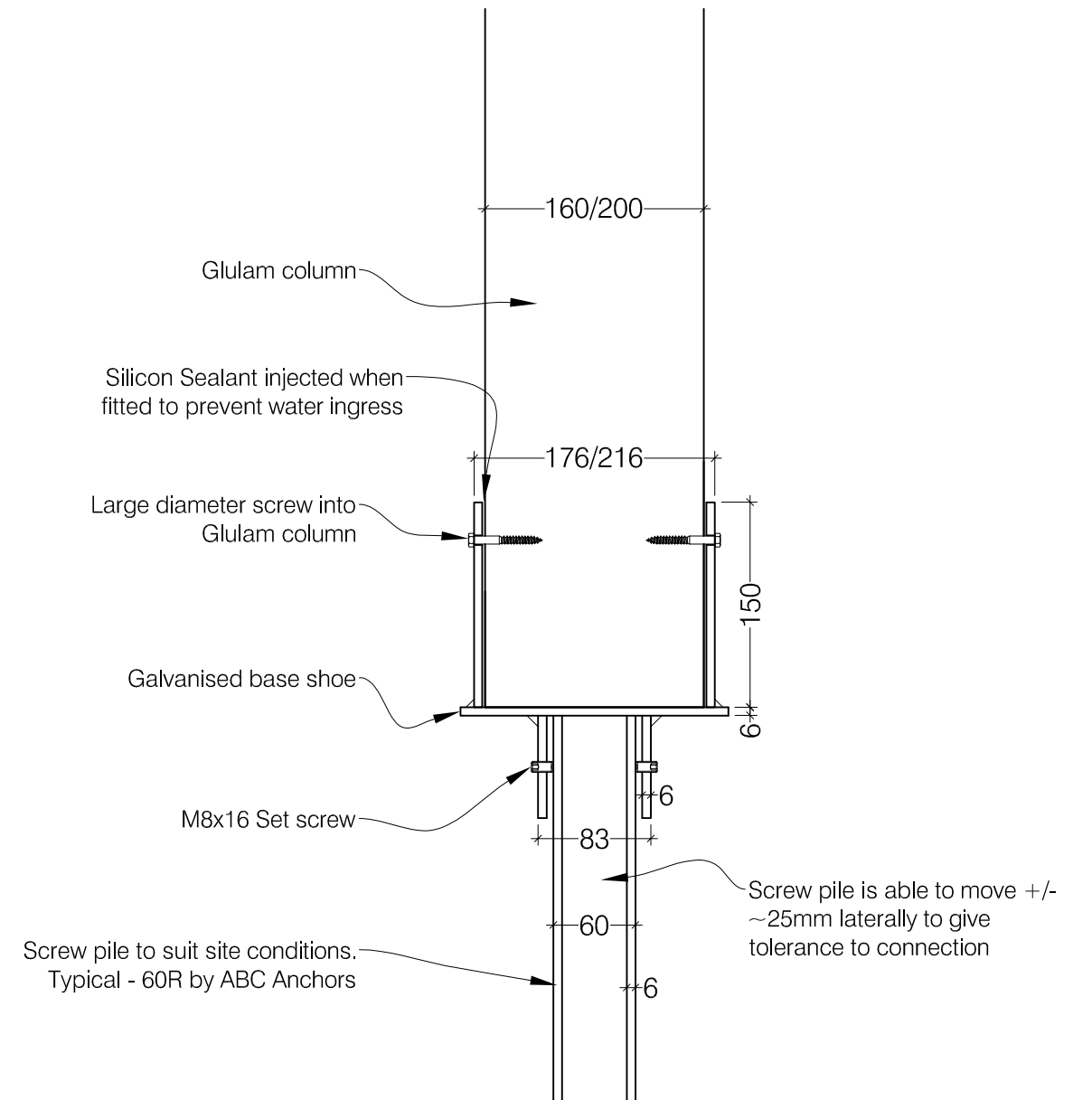
Isometric - From Above



Isometric - From Below



Vertical Section



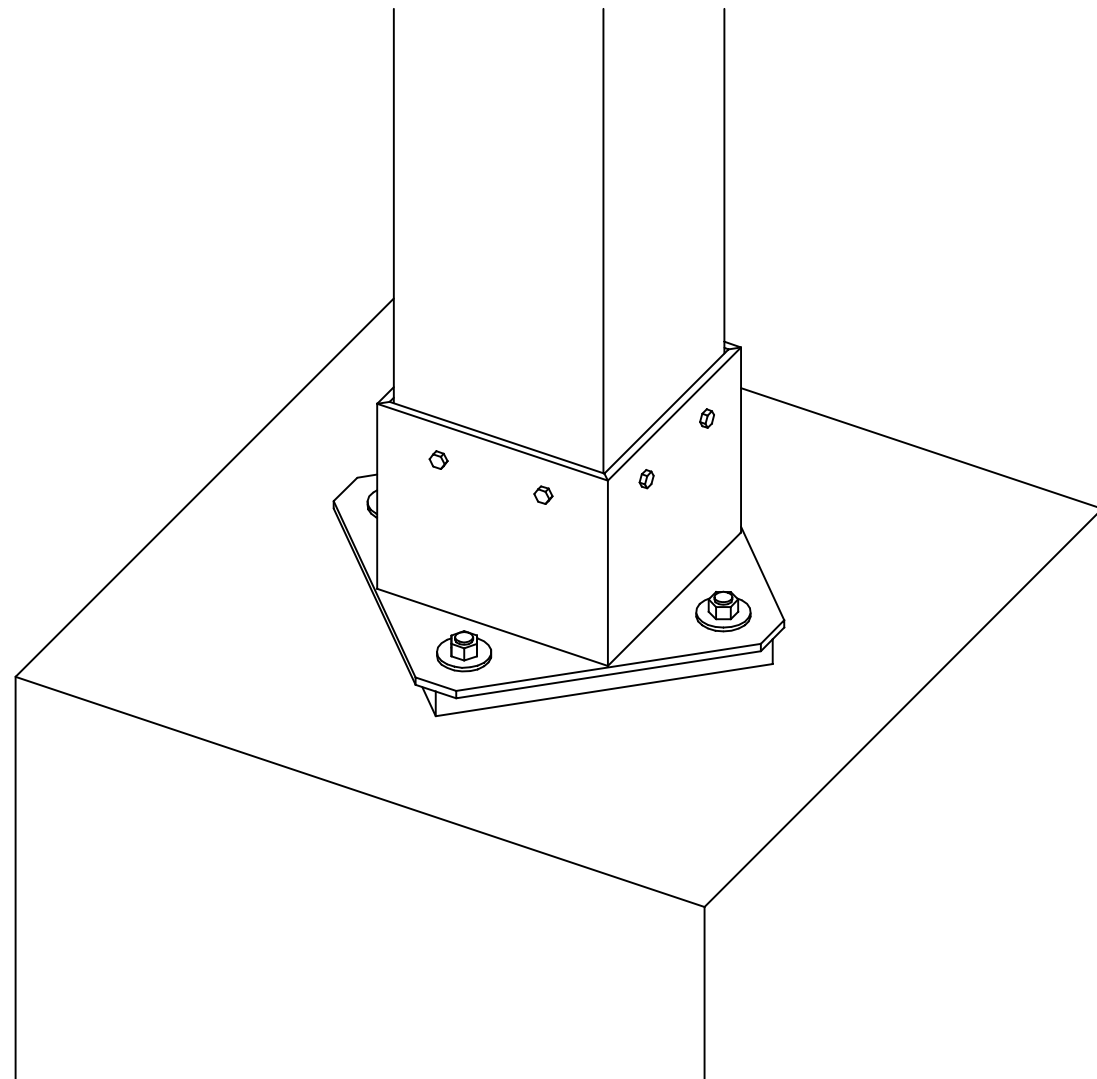
COWLEY TIMBER & PARTNERS LTD

41 Pear Tree Street London EC1V 3AG
 Tel: 01522 720 022 Fax: 01522 723 681
 www.cowleytimber.co.uk

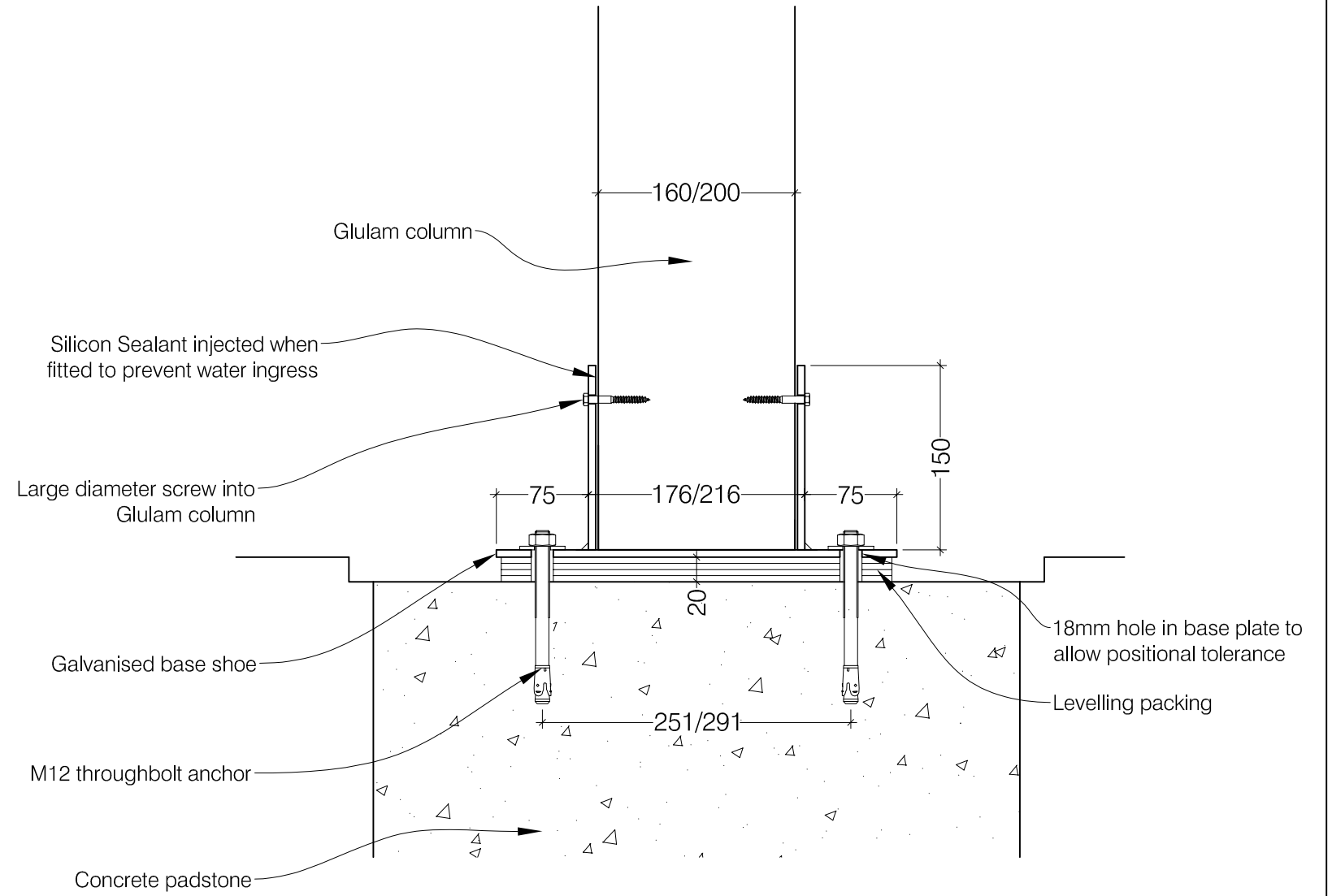
Job Title
 Quick Frame
 Drawing Title
 Screw Pile Base

Scale	1 : 5	@A3
Date	24/01/17	
Drawn	A D P	
Drg No	QF/101	

Isometric - From Above



Vertical Section



COWLEY TIMBER & PARTNERS LTD
 41 Pear Tree Street London EC1V 3AG
 Tel: 01522 720 022 Fax: 01522 723 681
 www.cowleytimber.co.uk

Job Title
 Quick Frame
 Drawing Title
 Padstone Base

Scale	1 : 5	@A3
Date	24/01/17	
Drawn	A D P	
Drg No	QF/102	