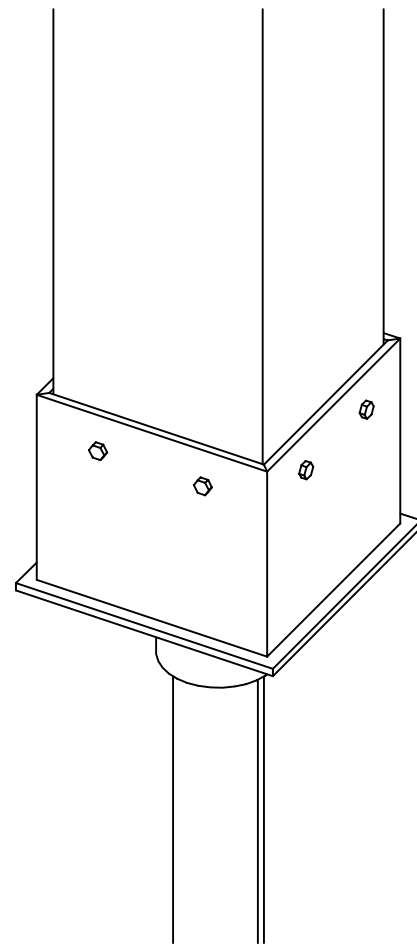
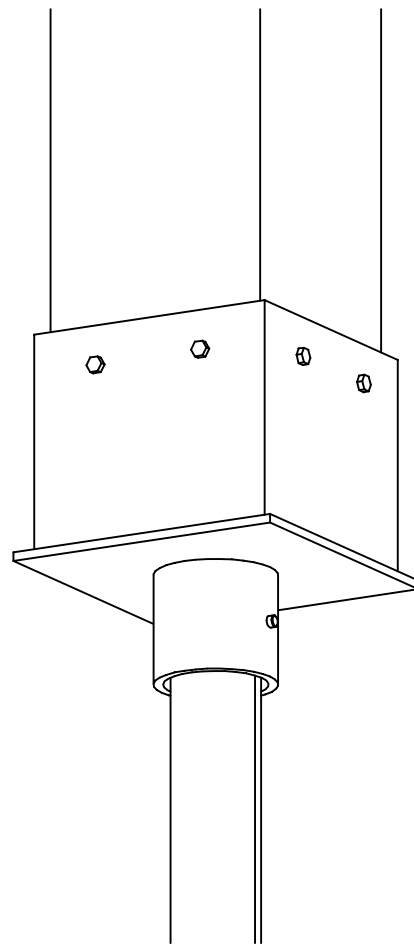


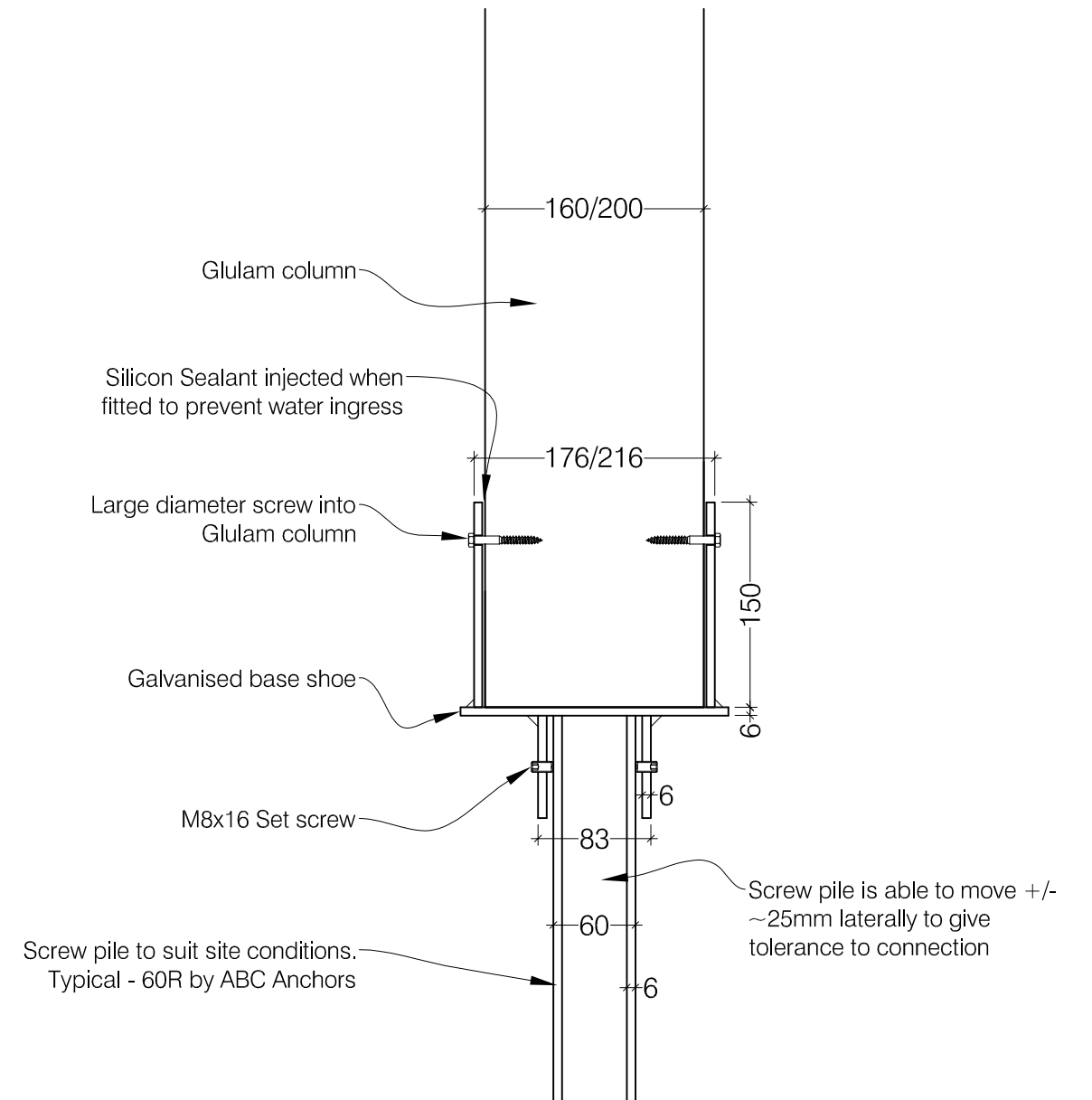
Isometric - From Above



Isometric - From Below



Vertical Section



**COWLEY TIMBER & PARTNERS LTD**

41 Pear Tree Street London EC1V 3AG  
 Tel: 01522 720 022 Fax: 01522 723 681  
 www.cowleytimber.co.uk

Job Title  
 Quick Frame  
 Drawing Title  
 Screw Pile Base

Scale	1 : 5	@A3
Date	24/01/17	
Drawn	A D P	
Drg No	QF/101	