



APB features a post mounting plate on a screw allowing it to be adjusted to a specific standoff height ranging from 100-150mm. Suitable for post sizes 100 x 100mm to 200 x 200mm.



[UK-DoP-e07/0285](#)
[ETA-07/0285](#)

FEATURES

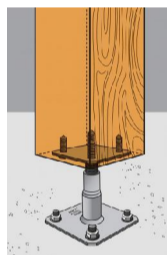


Material

- Pre-galvanised mild steel.

Benefits

- Simple, height adjustable



APPLICATIONS

Header member

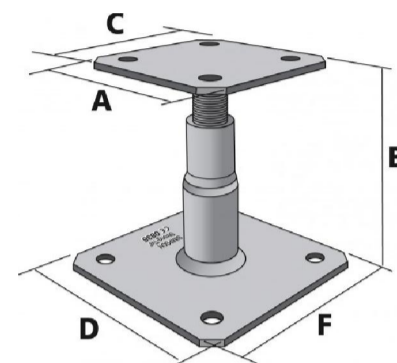
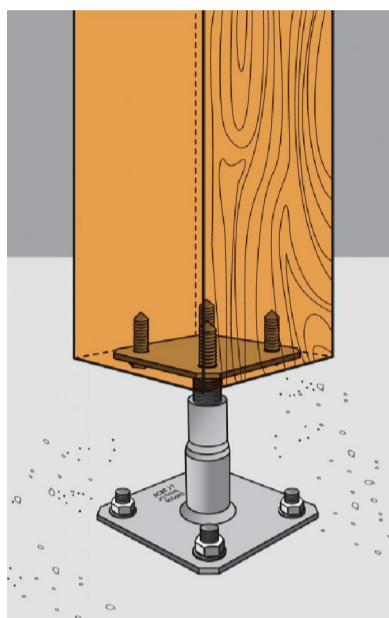
- Solid or glulam timber.

For Use With

- Post support.
- Garage ports.
- Pergola.

TECHNICAL DATA

Dimensions et valeurs caractéristiques



References	Dimensions [mm]						Holes [mm]	Characteristic Capacity <br / > C24 Timber <br / > Download [kN]
	A	B	C	D	F	Thickness	Bolts	
APB100/150	100	100-150	100	130	130	4	8 Ø 12	45.0

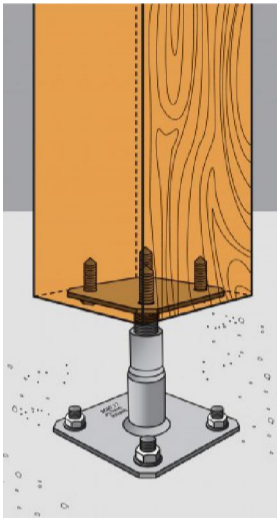
INSTALLATION

Fixing

- M12 Bolts

Installation

Fix to the foundation with concrete/mechanical anchor system. Fix to the post using M10 coach screws.



APB100/150
Installed